

# **S-6013.LF**

COVERED ARC WELDING ELECTRODE  
FOR WELDING LIGHT STRUCTURAL STEELS



## ❖ Specification

AWS A5.1	E6013
JIS Z3211	E4313
EN ISO 2560-A	E38 0 R 1 2

## ❖ Applications

S-6013.LF can be used for welding of machinery, vehicles and light structural steels surface dressing of heavy steel structures.

## ❖ Characteristics on Usage

S-6013.LF is a high titania type electrode whose usability is excellent in all position welding. It is suitable for welding of light structural steels because of its stable arc, shallow penetration and smooth weld bead.

S-6013.LF is a low fume type electrode of which fume generation is about 20% less than conventional high titania type electrode.

## ❖ Note on Usage

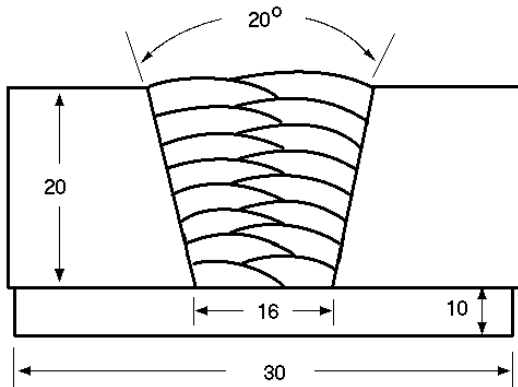
1. When excessive moisture absorption occurs for any reason dry the electrodes at 70~100°C (158~212°F) for 30~60minutes before use. Excessive moisture absorption causes increase of fumes, spatters and may result in some porosity, lower usability.
2. Pay attention not to exceed the range of proper currents welding with excessive current not only lowers X-ray performance but also causes increase of spatter, undercut and insufficient slag covering.



## Mechanical Properties & Chemical Compositions of All Weld Metal

### ❖ Welding Conditions

Method by AWS Spec.



[ Joint Preparation & Layer Details ]

Diameter, mm(in)	: 4.0 X 400(5/32 X 16)
Amp./ Volt.	: 170 / 23~24
Interpass Temp. °C(°F)	: 80~130 (176~266)
Polarity	: AC

### ❖ Mechanical Property of All Weld Metal

consumable	Tensile test			CVN Impact Value J (ft.lbs)
	YS MPa (ksi)	TS MPa (ksi)	EL (%)	0°C (32°F)
S-6013.LF	439(64)	488(71)	26.8	67(50)
AWS Spec.	≥ 330(48)	≥ 430(62)	≥ 17	N.S

### ❖ Chemical Composition of All Weld Metal(wt%)

Consumable	Chemical Composition (%)				
	C	Si	Mn	P	S
S-6013.LF	0.05	0.23	0.35	0.022	0.017
AWS Spec.	≤0.20	≤1.00	≤1.20	-	-

This information is provided solely for the purpose of confirming product conformance with applicable standards. The serviceability of a product or structure utilizing this type of information is and must be the sole responsibility of the builder/user. Many variables beyond the control of HYUNDAI WELDING CO., LTD. affect the results obtained in applying this type of information. These variables include, but are not limited to, welding procedure, shielding gas, plate chemistry and temperature, weldment design, fabrication methods and service requirements.

**Weldability  
& Generated Fumes****❖ Weldability**

Item \ Division	Flat position	Vertical position
Arc stability	Excellent	Excellent
Melting rate	Good	Good
Deposition rate	Excellent	Good
Resistance of spatter occurrence	Good	Good
Bead appearance	Excellent	Excellent
Slag fluidity & Removability	Excellent	Excellent
The others	Good	Good

**❖ The Amounts of Generated Fumes**

Consumable	Division	Times	X <sub>1</sub>	X <sub>2</sub>	X <sub>3</sub>	X <sub>4</sub>	X <sub>5</sub>	X <sub>6</sub>	Avg.
			S-6013.LF	Ft	266	243	276	254	270
Fw	8.1	7.8		8.4	7.9	8.2	8.2	8.1	
Conventional E/R	Ft	329	332	347	311	325	340	331	
	Fw	10.2	10.3	10.6	9.5	10.0	10.4	10.2	

**❖ Typical Chemical Composition of Fumes**

Consumables	Fe <sub>2</sub> O <sub>3</sub>	SiO <sub>2</sub>	MnO	TiO <sub>2</sub>	Al <sub>2</sub> O <sub>3</sub>	CaO	MgO	Na <sub>2</sub> O	K <sub>2</sub> O
S-6013.LF	38	18	7	18	1.5	2	0.5	6	5
Conventional E/R	40	18	8	17	2	1	1	6	6

This information is provided solely for the purpose of confirming product conformance with applicable standards. The serviceability of a product or structure utilizing this type of information is and must be the sole responsibility of the builder/user. Many variables beyond the control of HYUNDAI WELDING CO., LTD. affect the results obtained in applying this type of information. These variables include, but are not limited to, welding procedure, shielding gas, plate chemistry and temperature, weldment design, fabrication methods and service requirements.



## Welding Efficiency Test

### ❖ Test Conditions of Deposition Efficiency

Consumable	Base Metal		Welding conditions		
	Specification	Dimension, mm(in)	Amp. (A)	Welding speed (mm/min)	Position
S-6013.LF (4.0 x 400 mm) (5/32 x 16 in)	ASTM A36	300 X 75 X12 (12 X 3 X 0.5)	170	250	Flat

### ❖ Results of Deposition Efficiency Test

Consumable	Deposition efficiency(%)	
	For electrode	For core wire
S-6013.LF (4.0 x 400 mm) (5/32 x 16 in)	65	92

This information is provided solely for the purpose of confirming product conformance with applicable standards. The serviceability of a product or structure utilizing this type of information is and must be the sole responsibility of the builder/user. Many variables beyond the control of HYUNDAI WELDING CO., LTD. affect the results obtained in applying this type of information. These variables include, but are not limited to, welding procedure, shielding gas, plate chemistry and temperature, weldment design, fabrication methods and service requirements.



**Size Available and recommended Current & Approval**

❖ **Sizes Available and Recommended Current**

Diameter mm(in)		2.6 (3/32)	3.2 (1/8)	4.0 (5/32)	5.0 (3/16)	6.0 (15/64)
Length mm(in)		350 (14)	350 (14)	400 (16) 450 (18)	400 (16) 450 (18)	450 (18)
Recommended current range ( AC or DC+ Amp.)	Flat position	55 ~95	80 ~130	120 ~180	160 ~230	220 ~300
	Vertical & Overhead position	45 ~90	60 ~120	100 ~160	120 ~200	-

❖ **Authorized Approval Details**

Classification		Dia. mm(in)	Welding position	Grade					
JIS	AWS			KR	ABS	LR	BV	DNV GL	NK
E6013	E6013	2.6(3/32) ~ 5.0(3/16)	All	RMW2	2	2	2	2	KMW2
		6.0(15/64)	F, H-Fil.						

This information is provided solely for the purpose of confirming product conformance with applicable standards. The serviceability of a product or structure utilizing this type of information is and must be the sole responsibility of the builder/user. Many variables beyond the control of HYUNDAI WELDING CO., LTD. affect the results obtained in applying this type of information. These variables include, but are not limited to, welding procedure, shielding gas, plate chemistry and temperature, weldment design, fabrication methods and service requirements.