










Made in Italy



ART. 110		SMERIGLIATRICE + PULTRICE GRINDING MACHINE + POLISHING MACHINE MEULE + POLISSOIR SCHEIBENSCHLEIF-UND POLIERMASCHINE						
								
Volt 400 kW 1,8		dB	E	F	G	G1	kg	
hp	Rpm	m/s						
2,5	1400	22	71	610	900	1200	930	130
			NOT INCLUDED		OPTIONAL			
Ø mm	Ø mm	IA-2						
Ø300x35xØ30	Ø300xØ30	kW 0,55						

General technical info

Power supply	400 50 3	Volt Hz Phase
Motor power	1,85 (2,5)	kW (hp)
Motor speed	1400	rpm
Acoustic emission	71	dB
Overall dimension (Width x Depth x Height)	900 x 610 x H. 1200	mm
Weight standard machine	130	kg

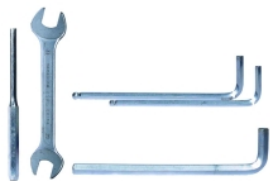
• Grinder unit

Grinding wheel maximum external size	ø 300	mm
Motor shaft diameter	ø 30	mm
Grinding wheel maximum wide size	35	mm
Peripheral speed	22	m/sec

• Polisher - Buffer unit

Brush maximum external size	ø 300	mm
Motor shaft diameter	ø 30	mm
Brush maximum wide size	75	mm
Peripheral speed	22	m/sec

Standard Equipments



Service Keys

Machine equipped with a set of service keys suitable for the adjustment and maintenance of the machine.



Instruction manual

Machine complete with instruction manual complete with CE conformity certificate, test sheet and exploded view with relative spare parts list.



Machine respect CE stamp of compliance

Machine with CE conformity mark made respecting the requirements of the most recent directives concerning it.



Guarantee of European standards

The stringent tests guarantee that all the requisites and standards necessary to obtain the guarantee in accordance with European standards are respected. Since the project we dedicate a lot of care and attention to making the machine with high quality level to deliver machines that last over time.

Optional Equipments



cod. **IA-2: DUST EXTRACTOR - TWO CONNECTIONS**

DUST EXTRACTOR kit with two suction mouth: complete of dust filter bag in flexible aluminum pipes and hose clamps. The extractor is mounted inside the base and wired to the electrical panel. TECHNICAL FEATURES- Motor: Volt 400 - Rpm 2800 - kW 0,55- Max flow rate: 1.000 m³ / h- Max total pressure: 85 mm H₂O

Technical modification

This product data sheet does not constitute a contractual obligation.
We reserve the right to modify and/or improve our machines without prior notice.
Some photographs and illustrations are purely demonstrative and may differ from the real ones.