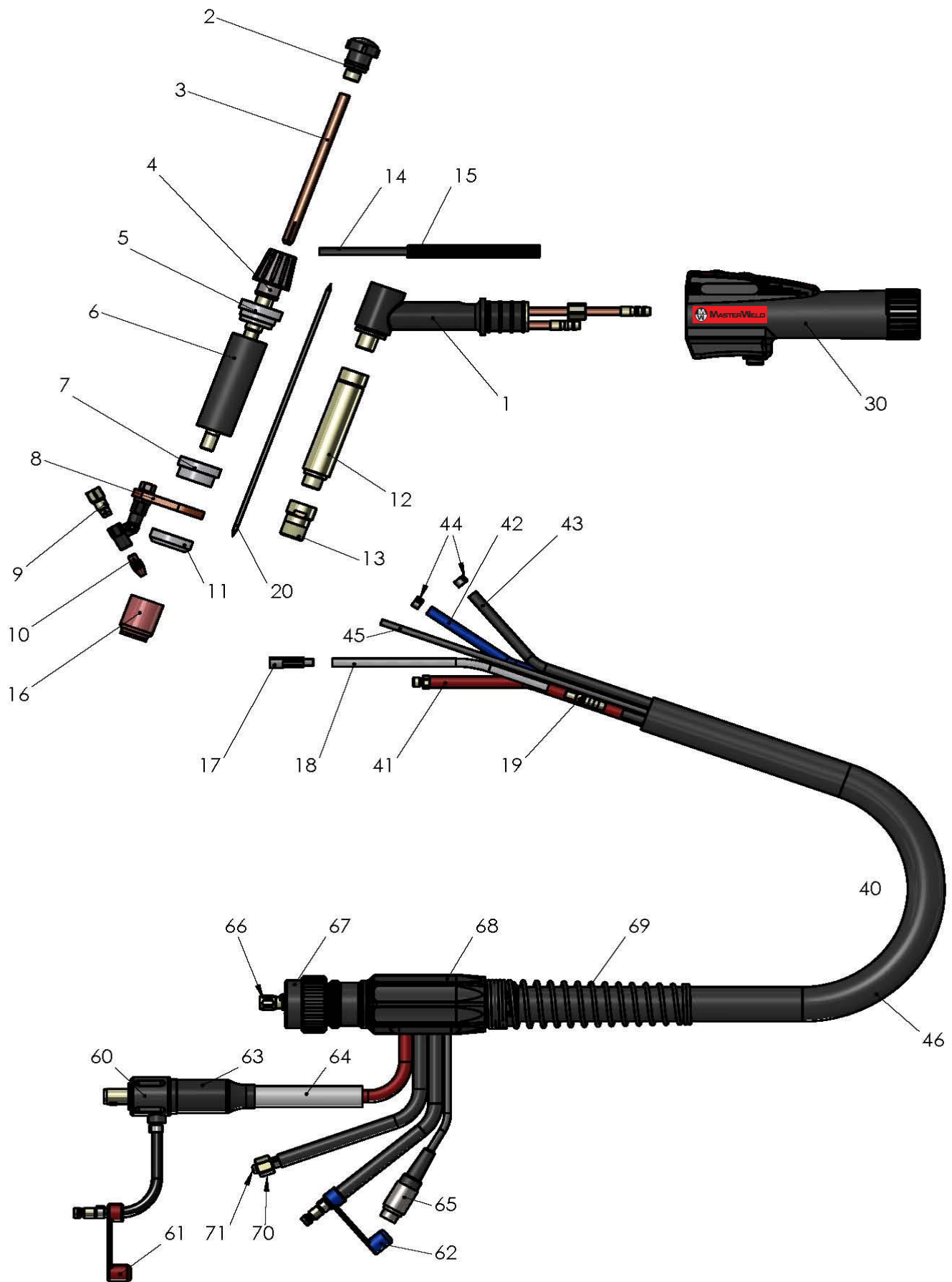


MASTERWELD AWT300 TORCH BREAKDOWN



SPARE PARTS LIST FOR AWT300

| Pos. | AES Pt No | AES Description |
|------|----------------------|---|
| | W.1196-WC-3030E | Masterweld AWT300 WC Auto TIG Torch Ext 3mtr Euro |
| 1 | W.1196-TB-WC | Masterweld AWT300 Torch Body Water Cooled |
| 2 | W.1196-BCS | Masterweld AWT300 Back Cap Short |
| 3 | W.1196-CTE-24 | Masterweld AWT300 Extended Collet 2.4mm |
| 4 | W.1196-EA-EXT | Masterweld AWT300 Extended Electrode Adjustable Holder |
| 5 | W.1196-TSI-EXT | Masterweld AWT300 Torch Side Insulator - Ext |
| 6 | W.1196-IT-EXT | Masterweld AWT300 Insulator Tube - Ext |
| 7 | W.1196-IN-TOS | Masterweld AWT300 Torch side Insulator |
| 8 | W.1196-HF-SN | Masterweld AWT300 Holding Fixture |
| 9 | W.1196-SW-IL | Masterweld AWT300 Screw Clamp for Internal Liner |
| 10 | W.1196-WT-10 | Masterweld AWT300 Wire Tip 1.0mm |
| 11 | W.1196-IN-TIS-SN | Masterweld AWT300 Insulator tip side |
| 12 | W.1196-EN | Masterweld AWT300 Extension |
| 13 | W.1196-GLS-24 | Masterweld AWT300 Small Gas Lens 2.4mm |
| 14 | W.1196-PAL-2040-3030 | Masterweld AWT300 Combi-Liner 2,0x4,0/3m |
| 15 | W.1196-LGL | Masterweld AWT300 Liner Guide long |
| 16 | W.1680 | Masterweld Ceramic No 4 (Pk 10) |
| 16 | W.1681 | Masterweld Ceramic No 5 (Pk 10) |
| 17 | W.1196-CR | Masterweld AWT300 Connector |
| 18 | W.1196-LH | Masterweld AWT300 Liner Hose |
| 19 | W.1196-CB | Masterweld AWT300 Connector Brass |
| 20 | W.1196-TT-SBE | Masterweld AWT300 Tungsten 175mm x 30 deg D/E (Pack10) |
| 30 | W.1196-HCS | Masterweld AWT300 Handle c/w Switches |
| 40 | W.1196-CA-3030 | Masterweld AWT300 Cable Assembly Complete 3m |
| 41 | W.1196-PWC-3030 | Masterweld AWT300 Power/Water Cable Complete 3m |
| 42 | W.1196-WIH | Masterweld AWT300 Water-Inlet Hose |
| 43 | W.1196-GH | Masterweld AWT300 Gas Hose |
| 44 | W.1196-CP | Masterweld AWT300 Clamp |
| 45 | W.1196-CCP-3030 | Masterweld AWT300 Control Cable c/w Plug 3m |
| 46 | W.1196-CH-3030 | Masterweld AWT300 Cover Hose Complete 3m |
| 60 | W.3503 | Masterweld AWT300 35/50 Plug c/w 3/8" Gas Fitting Tig Adaptor |
| 61 | W.1196-WSR | Masterweld AWT300 Water Stop Red |
| 62 | W.1196-WSB | Masterweld AWT300 Water Stop Blue |
| 63 | W.1196-IB | Masterweld AWT300 Insulation Boot |
| 64 | W.1196-CS-3000 | Masterweld AWT300 Cable Support 300mm |
| 65 | W.4650 | Masterweld AWT300 5 Pole Plug |
| 66 | W.1196-CEP | Masterweld AWT300 Central Plug |
| 67 | W.1196-PN | Masterweld AWT300 Plug Nut |
| 68 | W.1196-GPH | Masterweld AWT300 Gun Plug Housing |
| 69 | W.1196-CSS | Masterweld AWT300 Cable Support Spring |
| 70 | W.1196-FN | Masterweld AWT300 F/ Nut M10 x 1 7.5mm (Pack10) |
| 71 | W.1196-BSC | Masterweld AWT300 Brass Connection M10x1(Pack 5) |

