



OM-261 767B

2015-07

**Processes**



Stick (SMAW) Welding



TIG (GTAW) Welding

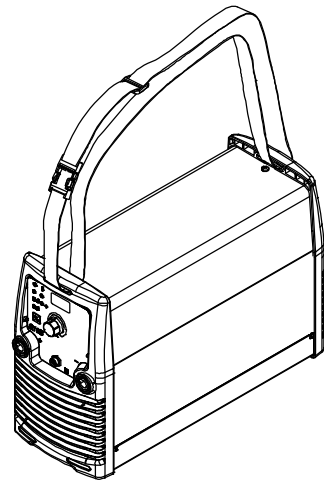
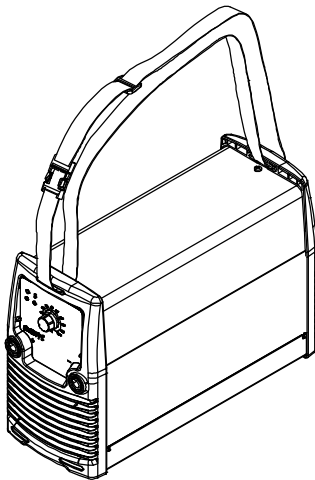
**Description**



Arc Welding Power Source

# Si 160, Si 160 PFC, And STi 160

## CE



Visit our website at  
[www.MillerWelds.com](http://www.MillerWelds.com)

# OWNER'S MANUAL

File: TIG (GTAW)



# From Miller to You

---

*Thank you and congratulations* on choosing Miller. Now you can get the job done and get it done right. We know you don't have time to do it any other way.

That's why when Niels Miller first started building arc welders in 1929, he made sure his products offered long-lasting value and superior quality. Like you, his customers couldn't afford anything less. Miller products had to be more than the best they could be. They had to be the best you could buy.

Today, the people that build and sell Miller products continue the tradition. They're just as committed to providing equipment and service that meets the high standards of quality and value established in 1929.

This Owner's Manual is designed to help you get the most out of your Miller products. Please take time to read the Safety precautions. They will help you protect yourself against potential hazards on the worksite. We've made installation and operation quick and easy. With Miller you can count on years of reliable service with proper maintenance. And if for some reason the unit needs repair, there's a Troubleshooting section that will help you figure out what the problem is. The parts list will then help you to decide which exact part you may need to fix the problem. Warranty and service information for your particular model are also provided.



Miller Electric manufactures a full line of welders and welding related equipment. For information on other quality Miller products, contact your local Miller distributor to receive the latest full line catalog or individual catalog sheets.



Working as hard as you do – every power source from Miller is backed by the most hassle-free warranty in the business.



# TABLE OF CONTENTS

<b>SECTION 1 – SAFETY PRECAUTIONS - READ BEFORE USING</b> .....	<b>1</b>
1-1. Symbol Usage .....	1
1-2. Arc Welding Hazards .....	1
1-3. Additional Symbols For Installation, Operation, And Maintenance .....	3
1-4. California Proposition 65 Warnings .....	4
1-5. Principal Safety Standards .....	4
1-6. EMF Information .....	4
<b>SECTION 2 – DEFINITIONS</b> .....	<b>5</b>
2-1. Additional Safety Symbols And Definitions .....	5
2-2. Miscellaneous Symbols And Definitions .....	6
<b>SECTION 3 – SPECIFICATIONS</b> .....	<b>7</b>
3-1. Serial Number And Rating Label Location .....	7
3-2. Specifications .....	7
3-3. Environmental Specifications .....	7
<b>SECTION 4 – INSTALLATION</b> .....	<b>8</b>
4-1. Selecting a Location .....	8
4-2. Volt-Ampere Curves .....	9
4-3. Duty Cycle And Overheating .....	10
4-4. Remote 6 Receptacle Information (STi Model Only) .....	10
4-5. Selecting Cable Sizes* .....	11
4-6. Weld Output Terminals .....	11
4-7. Electrical Service Guide .....	12
4-8. Connecting 1-Phase Input Power .....	14
4-9. Connecting To 1-Phase Engine Generator w/230 Volt Output .....	15
<b>SECTION 5 – OPERATION</b> .....	<b>16</b>
5-1. Controls (Si Models) .....	16
5-2. Amperage Adjustment Control .....	16
5-3. Preparing Unit For Stick Welding (Si Models) .....	17
5-4. Controls For STi 160 .....	18
5-5. Preparing Unit For Stick Welding (STi Model) .....	19
5-6. Preparing Unit For TIG Welding (STi Model) .....	20
5-7. Resetting Unit To Factory Default Settings (STi Model Only) .....	21
5-8. Lift-Arc™ And HF TIG Start Procedures .....	21
<b>SECTION 6 – MAINTENANCE AND TROUBLESHOOTING</b> .....	<b>22</b>
6-1. Routine Maintenance .....	22
6-2. High Temperature Help Display .....	22
6-3. Troubleshooting .....	23
<b>SECTION 7 – ELECTRICAL DIAGRAM</b> .....	<b>24</b>
<b>SECTION 8 – PARTS LIST FOR Si MODELS</b> .....	<b>28</b>
<b>SECTION 9 – PARTS LIST FOR STi MODELS</b> .....	<b>30</b>
<b>SECTION 10 – PARTS LIST FOR Si PFC MODELS</b> .....	<b>32</b>
<b>WARRANTY</b>	



# DECLARATION OF CONFORMITY

for European Community (CE marked) products.

**ITW Welding Italy S.r.l Via Privata Iseo 6/E, 20098 San Giuliano M.se, (MI) Italy** declares that the product(s) identified in this declaration conform to the essential requirements and provisions of the stated Council Directive(s) and Standard(s).

Product/Apparatus Identification:

Product	Stock Number
Si 160	059016011
Si 160 PFC	059016016
STi 160	059016012

Council Directives:

- 2006/95/EC Low Voltage
- 2004/108/EC Electromagnetic Compatibility
- 2011/65/EU Restriction of the use of certain hazardous substances in electrical and electronic equipment

Standards:

- IEC 60974-1:2012 Arc Welding Equipment – Part 1: Welding Power Sources
- IEC 60974-10:2007 Arc Welding Equipment – Part 10: Electromagnetic Compatibility Requirements

EU Signatory:

July 1<sup>st</sup>, 2015

---

**Massimiliano Lavarini**

Date of Declaration

ITW WELDING ITALY PRODUCTION MANAGER

956 172 210

# SECTION 1 – SAFETY PRECAUTIONS - READ BEFORE USING

som 2013-09

 Protect yourself and others from injury — read, follow, and save these important safety precautions and operating instructions.

## 1-1. Symbol Usage




**DANGER!** – Indicates a hazardous situation which, if not avoided, will result in death or serious injury. The possible hazards are shown in the adjoining symbols or explained in the text.



Indicates a hazardous situation which, if not avoided, could result in death or serious injury. The possible hazards are shown in the adjoining symbols or explained in the text.

**NOTICE** – Indicates statements not related to personal injury.

## 1-2. Arc Welding Hazards

 The symbols shown below are used throughout this manual to call attention to and identify possible hazards. When you see the symbol, watch out, and follow the related instructions to avoid the hazard. The safety information given below is only a summary of the more complete safety information found in the Safety Standards listed in Section 1-5. Read and follow all Safety Standards.

 Only qualified persons should install, operate, maintain, and repair this unit.

 During operation, keep everybody, especially children, away.



### ELECTRIC SHOCK can kill.

Touching live electrical parts can cause fatal shocks or severe burns. The electrode and work circuit is electrically live whenever the output is on. The input power circuit and machine internal circuits are also live when power is on. In semiautomatic or automatic wire welding, the wire, wire reel, drive roll housing, and all metal parts touching the welding wire are electrically live. Incorrectly installed or improperly grounded equipment is a hazard.

- Do not touch live electrical parts.

- Wear dry, hole-free insulating gloves and body protection.
- Insulate yourself from work and ground using dry insulating mats or covers big enough to prevent any physical contact with the work or ground.
- Do not use AC output in damp areas, if movement is confined, or if there is a danger of falling.
- Use AC output ONLY if required for the welding process.
- If AC output is required, use remote output control if present on unit.
- Additional safety precautions are required when any of the following electrically hazardous conditions are present: in damp locations or while wearing wet clothing; on metal structures such as floors, gratings, or scaffolds; when in cramped positions such as sitting, kneeling, or lying; or when there is a high risk of unavoidable or accidental contact with the workpiece or ground. For these conditions, use the following equipment in order presented: 1) a semiautomatic DC constant voltage (wire) welder, 2) a DC manual (stick) welder, or 3) an AC welder with reduced open-circuit voltage. In most situations, use of a DC, constant voltage wire welder is recommended. And, do not work alone!
- Disconnect input power or stop engine before installing or servicing this equipment. Lockout/tagout input power according to OSHA 29 CFR 1910.147 (see Safety Standards).
- Properly install, ground, and operate this equipment according to its Owner's Manual and national, state, and local codes.
- Always verify the supply ground – check and be sure that input power cord ground wire is properly connected to ground terminal in

 Indicates special instructions.



This group of symbols means Warning! Watch Out! ELECTRIC SHOCK, MOVING PARTS, and HOT PARTS hazards. Consult symbols and related instructions below for necessary actions to avoid the hazards.

disconnect box or that cord plug is connected to a properly grounded receptacle outlet.

- When making input connections, attach proper grounding conductor first – double-check connections.
- Keep cords dry, free of oil and grease, and protected from hot metal and sparks.
- Frequently inspect input power cord and ground conductor for damage or bare wiring – replace immediately if damaged – bare wiring can kill.
- Turn off all equipment when not in use.
- Do not use worn, damaged, undersized, or repaired cables.
- Do not drape cables over your body.
- If earth grounding of the workpiece is required, ground it directly with a separate cable.
- Do not touch electrode if you are in contact with the work, ground, or another electrode from a different machine.
- Do not touch electrode holders connected to two welding machines at the same time since double open-circuit voltage will be present.
- Use only well-maintained equipment. Repair or replace damaged parts at once. Maintain unit according to manual.
- Wear a safety harness if working above floor level.
- Keep all panels and covers securely in place.
- Clamp work cable with good metal-to-metal contact to workpiece or worktable as near the weld as practical.
- Insulate work clamp when not connected to workpiece to prevent contact with any metal object.
- Do not connect more than one electrode or work cable to any single weld output terminal. Disconnect cable for process not in use.
- Use GFCI protection when operating auxiliary equipment in damp or wet locations.

### SIGNIFICANT DC VOLTAGE exists in inverter welding power sources AFTER removal of input power.

- Turn Off inverter, disconnect input power, and discharge input capacitors according to instructions in Maintenance Section before touching any parts.



### HOT PARTS can burn.

- Do not touch hot parts bare handed.
- Allow cooling period before working on equipment.
- To handle hot parts, use proper tools and/or wear heavy, insulated welding gloves and clothing to prevent burns.



### FUMES AND GASES can be hazardous.

Welding produces fumes and gases. Breathing these fumes and gases can be hazardous to your health.

- Keep your head out of the fumes. Do not breathe the fumes.
- If inside, ventilate the area and/or use local forced ventilation at the arc to remove welding fumes and gases. The recommended way to determine adequate ventilation is to sample for the composition and quantity of fumes and gases to which personnel are exposed.
- If ventilation is poor, wear an approved air-supplied respirator.
- Read and understand the Safety Data Sheets (SDSs) and the manufacturer's instructions for adhesives, coatings, cleaners, consumables, coolants, degreasers, fluxes, and metals.
- Work in a confined space only if it is well ventilated, or while wearing an air-supplied respirator. Always have a trained watch-person nearby. Welding fumes and gases can displace air and lower the oxygen level causing injury or death. Be sure the breathing air is safe.
- Do not weld in locations near degreasing, cleaning, or spraying operations. The heat and rays of the arc can react with vapors to form highly toxic and irritating gases.
- Do not weld on coated metals, such as galvanized, lead, or cadmium plated steel, unless the coating is removed from the weld area, the area is well ventilated, and while wearing an air-supplied respirator. The coatings and any metals containing these elements can give off toxic fumes if welded.



### ARC RAYS can burn eyes and skin.

Arc rays from the welding process produce intense visible and invisible (ultraviolet and infrared) rays that can burn eyes and skin. Sparks fly off from the weld.

- Wear an approved welding helmet fitted with a proper shade of filter lenses to protect your face and eyes from arc rays and sparks when welding or watching (see ANSI Z49.1 and Z87.1 listed in Safety Standards).
- Wear approved safety glasses with side shields under your helmet.
- Use protective screens or barriers to protect others from flash, glare and sparks; warn others not to watch the arc.
- Wear body protection made from durable, flame-resistant material (leather, heavy cotton, wool). Body protection includes oil-free clothing such as leather gloves, heavy shirt, cuffless trousers, high shoes, and a cap.

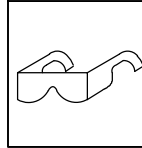


### WELDING can cause fire or explosion.

Welding on closed containers, such as tanks, drums, or pipes, can cause them to blow up. Sparks can fly off from the welding arc. The flying sparks, hot workpiece, and hot equipment can cause fires and burns. Accidental contact of electrode to metal objects can cause sparks, explosion, overheating, or fire. Check and be sure the area is safe before doing any welding.

- Remove all flammables within 35 ft (10.7 m) of the welding arc. If this is not possible, tightly cover them with approved covers.
- Do not weld where flying sparks can strike flammable material.
- Protect yourself and others from flying sparks and hot metal.
- Be alert that welding sparks and hot materials from welding can easily go through small cracks and openings to adjacent areas.
- Watch for fire, and keep a fire extinguisher nearby.
- Be aware that welding on a ceiling, floor, bulkhead, or partition can cause fire on the hidden side.
- Do not weld on containers that have held combustibles, or on closed containers such as tanks, drums, or pipes unless they are properly prepared according to AWS F4.1 and AWS A6.0 (see Safety Standards).
- Do not weld where the atmosphere may contain flammable dust, gas, or liquid vapors (such as gasoline).
- Connect work cable to the work as close to the welding area as practical to prevent welding current from traveling long, possibly unknown paths and causing electric shock, sparks, and fire hazards.
- Do not use welder to thaw frozen pipes.

- Remove stick electrode from holder or cut off welding wire at contact tip when not in use.
- Wear body protection made from durable, flame-resistant material (leather, heavy cotton, wool). Body protection includes oil-free clothing such as leather gloves, heavy shirt, cuffless trousers, high shoes, and a cap.
- Remove any combustibles, such as a butane lighter or matches, from your person before doing any welding.
- After completion of work, inspect area to ensure it is free of sparks, glowing embers, and flames.
- Use only correct fuses or circuit breakers. Do not oversize or bypass them.
- Follow requirements in OSHA 1910.252 (a) (2) (iv) and NFPA 51B for hot work and have a fire watcher and extinguisher nearby.
- Read and understand the Safety Data Sheets (SDSs) and the manufacturer's instructions for adhesives, coatings, cleaners, consumables, coolants, degreasers, fluxes, and metals.



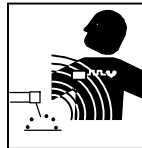
### FLYING METAL or DIRT can injure eyes.

- Welding, chipping, wire brushing, and grinding cause sparks and flying metal. As welds cool, they can throw off slag.
- Wear approved safety glasses with side shields even under your welding helmet.



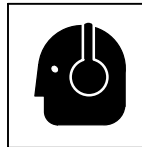
### BUILDUP OF GAS can injure or kill.

- Shut off compressed gas supply when not in use.
- Always ventilate confined spaces or use approved air-supplied respirator.



### ELECTRIC AND MAGNETIC FIELDS (EMF) can affect Implanted Medical Devices.

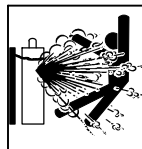
- Wearers of Pacemakers and other Implanted Medical Devices should keep away.
- Implanted Medical Device wearers should consult their doctor and the device manufacturer before going near arc welding, spot welding, gouging, plasma arc cutting, or induction heating operations.



### NOISE can damage hearing.

Noise from some processes or equipment can damage hearing.

- Wear approved ear protection if noise level is high.



### CYLINDERS can explode if damaged.

Compressed gas cylinders contain gas under high pressure. If damaged, a cylinder can explode. Since gas cylinders are normally part of the welding process, be sure to treat them carefully.

- Protect compressed gas cylinders from excessive heat, mechanical shocks, physical damage, slag, open flames, sparks, and arcs.
- Install cylinders in an upright position by securing to a stationary support or cylinder rack to prevent falling or tipping.
- Keep cylinders away from any welding or other electrical circuits.
- Never drape a welding torch over a gas cylinder.
- Never allow a welding electrode to touch any cylinder.
- Never weld on a pressurized cylinder – explosion will result.
- Use only correct compressed gas cylinders, regulators, hoses, and fittings designed for the specific application; maintain them and associated parts in good condition.
- Turn face away from valve outlet when opening cylinder valve. Do not stand in front of or behind the regulator when opening the valve.
- Keep protective cap in place over valve except when cylinder is in use or connected for use.
- Use the right equipment, correct procedures, and sufficient number of persons to lift and move cylinders.
- Read and follow instructions on compressed gas cylinders, associated equipment, and Compressed Gas Association (CGA) publication P-1 listed in Safety Standards.

## 1-3. Additional Symbols For Installation, Operation, And Maintenance



### FIRE OR EXPLOSION hazard.

- Do not install or place unit on, over, or near combustible surfaces.
- Do not install unit near flammables.
- Do not overload building wiring – be sure power supply system is properly sized, rated, and protected to handle this unit.



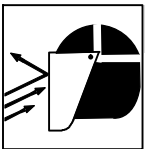
### FALLING EQUIPMENT can injure.

- Use lifting eye to lift unit only, NOT running gear, gas cylinders, or any other accessories.
- Use equipment of adequate capacity to lift and support unit.
- If using lift forks to move unit, be sure forks are long enough to extend beyond opposite side of unit.
- Keep equipment (cables and cords) away from moving vehicles when working from an aerial location.
- Follow the guidelines in the Applications Manual for the Revised NIOSH Lifting Equation (Publication No. 94–110) when manually lifting heavy parts or equipment.



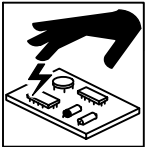
### OVERUSE can cause OVERHEATING

- Allow cooling period; follow rated duty cycle.
- Reduce current or reduce duty cycle before starting to weld again.
- Do not block or filter airflow to unit.



### FLYING SPARKS can injure.

- Wear a face shield to protect eyes and face.
- Shape tungsten electrode only on grinder with proper guards in a safe location wearing proper face, hand, and body protection.
- Sparks can cause fires — keep flammables away.



### STATIC (ESD) can damage PC boards.

- Put on grounded wrist strap BEFORE handling boards or parts.
- Use proper static-proof bags and boxes to store, move, or ship PC boards.



### MOVING PARTS can injure.

- Keep away from moving parts.
- Keep away from pinch points such as drive rolls.



### WELDING WIRE can injure.

- Do not press gun trigger until instructed to do so.
- Do not point gun toward any part of the body, other people, or any metal when threading welding wire.



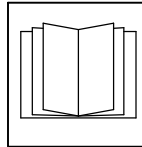
### BATTERY EXPLOSION can injure.

- Do not use welder to charge batteries or jump start vehicles unless it has a battery charging feature designed for this purpose.



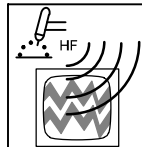
### MOVING PARTS can injure.

- Keep away from moving parts such as fans.
- Keep all doors, panels, covers, and guards closed and securely in place.
- Have only qualified persons remove doors, panels, covers, or guards for maintenance and troubleshooting as necessary.
- Reinstall doors, panels, covers, or guards when maintenance is finished and before reconnecting input power.



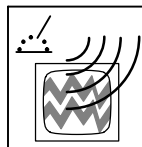
### READ INSTRUCTIONS.

- Read and follow all labels and the Owner's Manual carefully before installing, operating, or servicing unit. Read the safety information at the beginning of the manual and in each section.
- Use only genuine replacement parts from the manufacturer.
- Perform maintenance and service according to the Owner's Manuals, industry standards, and national, state, and local codes.



### H.F. RADIATION can cause interference.


- High-frequency (H.F.) can interfere with radio navigation, safety services, computers, and communications equipment.
- Have only qualified persons familiar with electronic equipment perform this installation.
- The user is responsible for having a qualified electrician promptly correct any interference problem resulting from the installation.
- If notified by the FCC about interference, stop using the equipment at once.
- Have the installation regularly checked and maintained.
- Keep high-frequency source doors and panels tightly shut, keep spark gaps at correct setting, and use grounding and shielding to minimize the possibility of interference.




### ARC WELDING can cause interference.

- Electromagnetic energy can interfere with sensitive electronic equipment such as computers and computer-driven equipment such as robots.
- Be sure all equipment in the welding area is electromagnetically compatible.
- To reduce possible interference, keep weld cables as short as possible, close together, and down low, such as on the floor.
- Locate welding operation 100 meters from any sensitive electronic equipment.
- Be sure this welding machine is installed and grounded according to this manual.
- If interference still occurs, the user must take extra measures such as moving the welding machine, using shielded cables, using line filters, or shielding the work area.

## 1-4. California Proposition 65 Warnings

 **Welding or cutting equipment produces fumes or gases which contain chemicals known to the State of California to cause birth defects and, in some cases, cancer. (California Health & Safety Code Section 25249.5 et seq.)**

 **This product contains chemicals, including lead, known to the state of California to cause cancer, birth defects, or other reproductive harm. Wash hands after use.**

## 1-5. Principal Safety Standards

*Safety in Welding, Cutting, and Allied Processes*, ANSI Standard Z49.1, is available as a free download from the American Welding Society at <http://www.aws.org> or purchased from Global Engineering Documents (phone: 1-877-413-5184, website: [www.global.ihs.com](http://www.global.ihs.com)).

*Safe Practices for the Preparation of Containers and Piping for Welding and Cutting*, American Welding Society Standard AWS F4.1, from Global Engineering Documents (phone: 1-877-413-5184, website: [www.global.ihs.com](http://www.global.ihs.com)).

*Safe Practices for Welding and Cutting Containers that have Held Combustibles*, American Welding Society Standard AWS A6.0, from Global Engineering Documents (phone: 1-877-413-5184, website: [www.global.ihs.com](http://www.global.ihs.com)).

*National Electrical Code*, NFPA Standard 70, from National Fire Protection Association, Quincy, MA 02269 (phone: 1-800-344-3555, website: [www.nfpa.org](http://www.nfpa.org) and [www.sparky.org](http://www.sparky.org)).

*Safe Handling of Compressed Gases in Cylinders*, CGA Pamphlet P-1, from Compressed Gas Association, 14501 George Carter Way, Suite 103, Chantilly, VA 20151 (phone: 703-788-2700, website: [www.cganet.com](http://www.cganet.com)).

*Safety in Welding, Cutting, and Allied Processes*, CSA Standard W117.2, from Canadian Standards Association, Standards Sales, 5060

Spectrum Way, Suite 100, Ontario, Canada L4W 5NS (phone: 800-463-6727, website: [www.csa-international.org](http://www.csa-international.org)).

*Safe Practice For Occupational And Educational Eye And Face Protection*, ANSI Standard Z87.1, from American National Standards Institute, 25 West 43rd Street, New York, NY 10036 (phone: 212-642-4900, website: [www.ansi.org](http://www.ansi.org)).

*Standard for Fire Prevention During Welding, Cutting, and Other Hot Work*, NFPA Standard 51B, from National Fire Protection Association, Quincy, MA 02269 (phone: 1-800-344-3555, website: [www.nfpa.org](http://www.nfpa.org)).

OSHA, Occupational Safety and Health Standards for General Industry, Title 29, Code of Federal Regulations (CFR), Part 1910, Subpart Q, and Part 1926, Subpart J, from U.S. Government Printing Office, Superintendent of Documents, P.O. Box 371954, Pittsburgh, PA 15250-7954 (phone: 1-866-512-1800) (there are 10 OSHA Regional Offices—phone for Region 5, Chicago, is 312-353-2220, website: [www.osha.gov](http://www.osha.gov)).

*Applications Manual for the Revised NIOSH Lifting Equation*, The National Institute for Occupational Safety and Health (NIOSH), 1600 Clifton Rd, Atlanta, GA 30333 (phone: 1-800-232-4636, website: [www.cdc.gov/NIOSH](http://www.cdc.gov/NIOSH)).

## 1-6. EMF Information

Electric current flowing through any conductor causes localized electric and magnetic fields (EMF). The current from arc welding (and allied processes including spot welding, gouging, plasma arc cutting, and induction heating operations) creates an EMF field around the welding circuit. EMF fields may interfere with some medical implants, e.g. pacemakers. Protective measures for persons wearing medical implants have to be taken. For example, restrict access for passers-by or conduct individual risk assessment for welders. All welders should use the following procedures in order to minimize exposure to EMF fields from the welding circuit:

1. Keep cables close together by twisting or taping them, or using a cable cover.
2. Do not place your body between welding cables. Arrange cables to one side and away from the operator.
3. Do not coil or drape cables around your body.

4. Keep head and trunk as far away from the equipment in the welding circuit as possible.
5. Connect work clamp to workpiece as close to the weld as possible.
6. Do not work next to, sit or lean on the welding power source.
7. Do not weld whilst carrying the welding power source or wire feeder.


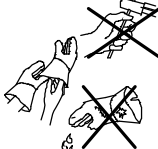
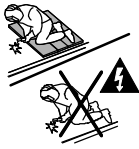
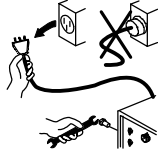

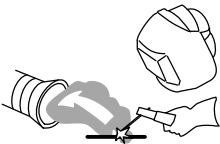
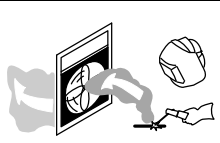



### About Implanted Medical Devices:



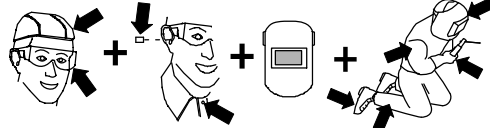
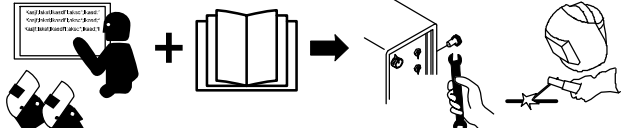
Implanted Medical Device wearers should consult their doctor and the device manufacturer before performing or going near arc welding, spot welding, gouging, plasma arc cutting, or induction heating operations. If cleared by your doctor, then following the above procedures is recommended.









# SECTION 2 – DEFINITIONS

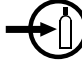


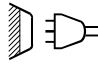

## 2-1. Additional Safety Symbols And Definitions


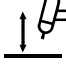





	<p>Warning! Watch Out! There are possible hazards as shown by the symbols.</p> <p style="text-align: right;">Safe1 2012-05</p>
	<p>Wear dry insulating gloves. Do not touch electrode with bare hand. Do not wear wet or damaged gloves.</p> <p style="text-align: right;">Safe2 2012-05</p>
	<p>Protect yourself from electric shock by insulating yourself from work and ground.</p> <p style="text-align: right;">Safe3 2012-05</p>
	<p>Disconnect input plug or power before working on machine.</p> <p style="text-align: right;">Safe5 2012-05</p>
	<p>Keep your head out of the fumes.</p> <p style="text-align: right;">Safe6 2012-05</p>
	<p>Use forced ventilation or local exhaust to remove the fumes.</p> <p style="text-align: right;">Safe8 2012-05</p>
	<p>Use ventilating fan to remove fumes.</p> <p style="text-align: right;">Safe10 2012-05</p>
	<p>Keep flammables away from welding. Do not weld near flammables.</p> <p style="text-align: right;">Safe12 2012-05</p>
	<p>Welding sparks can cause fires. Have a fire extinguisher nearby, and have a watchperson ready to use it.</p> <p style="text-align: right;">Safe14 2012-05</p>
	<p>Do not remove or paint over (cover) the label.</p> <p style="text-align: right;">Safe20 2012-05</p>

	<p>Do not weld on drums or any closed containers.</p> <p style="text-align: right;">Safe16 2012-05</p>
	<p>Do not discard product (where applicable) with general waste. Reuse or recycle Waste Electrical and Electronic Equipment (WEEE) by disposing at a designated collection facility. Contact your local recycling office or your local distributor for further information.</p> <p style="text-align: right;">Safe37 2012-05</p>
	<p>Wear hat and safety glasses. Use ear protection and button shirt collar. Use welding helmet with correct shade of filter. Wear complete body protection.</p> <p style="text-align: right;">Safe38 2012-05</p>
	<p>Become trained and read the instructions before working on the machine or welding.</p> <p style="text-align: right;">Safe40 2012-05</p>

## 2-2. Miscellaneous Symbols And Definitions

<b>A</b>	Amperes
	Voltage Input
	Suitable For Areas Of Increased Shock Hazard
	Shielded Metal Arc Welding (SMAW)
<b>V</b>	Volts
	Increase/Decrease Of Quantity
	Single Phase Static Frequency Converter-Transformer-Rectifier
	Output
<b>-</b>	Negative
<b>+</b>	Positive
<b>Hz</b>	Hertz

	Gas Input
	High Temperature
	Direct Current
	Line Connection
<b>%</b>	Percent
<b>X</b>	Duty Cycle
<b>U<sub>1</sub></b>	Primary Voltage
<b>U<sub>2</sub></b>	Conventional Load Voltage
	Alternating Current
<b>U<sub>0</sub></b>	Rated No Load Voltage (Average)
<b>I<sub>1max</sub></b>	Rated Maximum Supply Current

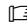
<b>I<sub>2</sub></b>	Rated Welding Current
<b>I<sub>1eff</sub></b>	Maximum Effective Supply Current
	Remote
	Lift-Arc Start (GTAW)
	Gas Tungsten Arc Welding (GTAW)
	Process
<b>1</b> 	Single Phase
	Set-Up
<b>I</b>	On
<b>O</b>	Off
	Look under unit for label

# SECTION 3 – SPECIFICATIONS

## 3-1. Serial Number And Rating Label Location

The serial number and rating information is located on the bottom of the machine. Use the rating labels to determine input power requirements and/or rated output. CE model rating labels will also display the following symbols: CE, CCC, WEEE, and IEC 60974-1. For future reference, write serial number in space provided on back cover of this manual.

## 3-2. Specifications

 Do not use information in unit specifications table to determine electrical service requirements. See Sections 4-7 and 4-8 for information on connecting input power.

Model	Input Power Single-Phase AC	Rated Welding Output	Welding Amperage Range	Max OCV DC (U <sub>o</sub> )	Amperes In- put At Rated Load Output, 50/60Hz, Single-Phase	KVA/KW At Duty Cycle	Weight	Dimensions (mm)
Si 160	230 Volts Stick	100A @ 24 Volts DC, 100% Duty Cycle	15–150A	85V	20A	4.5/2.8	5.2 Kg (11.5 lb)	L = 380 mm W = 145 mm H = 245 mm
		150A @ 26 Volts DC, 25% Duty Cycle			30A	7.0/4.8		
	230 Volts TIG	100A @ 14 Volts DC, 100% Duty Cycle	15–150A	85V	13A	3.0/2.0		
		150A @ 16 Volts DC, 25% Duty Cycle			21A	4.8/3.2		
Si 160 PFC	230 Volts Stick	100A @ 24 Volts DC, 100% Duty Cycle	4–150A	70V	13.7A	3.1/2.8	6.2 Kg (13.7 lb)	L = 380 mm W = 145 mm H = 245 mm
		150A @ 26 Volts DC, 25% Duty Cycle			22.1A	5.0/4.8		
	230 Volts TIG	100A @ 14 Volts DC, 100% Duty Cycle	4–160A	70V	13A	3.0/2.0		
		160A @ 16.4 Volts DC, 20% Duty Cycle			22A	5.1/3.5		
STi 160	230 Volts Stick	100A @ 24 Volts DC, 100% Duty Cycle	4–150A	70V	20A	4.5/2.8	6.0 Kg (13.2 lb)	L = 380 mm W = 145 mm H = 245 mm
		150A @ 26 Volts DC, 25% Duty Cycle			30A	7.0/4.8		
	230 Volts TIG	100A @ 14 Volts DC, 100% Duty Cycle	4–160A	70V	13A	3.0/2.0		
		160A @ 16.4 Volts DC, 20% Duty Cycle			22A	5.1/3.5		

## 3-3. Environmental Specifications

### A. IP Rating

IP Rating	Operating Temperature Range
IP23S  This equipment is designed for outdoor use. It may be stored, but is not intended to be used for welding outside during precipitation unless sheltered.	-10 to 40 °C (14 to 104°F)

IP23S 2014-06

## B. Information On Electromagnetic Fields (EMF)

**⚠ This equipment shall not be used by the general public as the EMF limits for the general public might be exceeded during welding.**

This equipment is built in accordance with EN 60974-1 and is intended to be used only in an occupational environment (where the general public access is prohibited or regulated in such a way as to be similar to occupational use) by an expert or an instructed person.

Wire feeders and ancillary equipment (such as torches, liquid cooling systems and arc striking and stabilizing devices) as part of the welding circuit may not be a major contributor to the EMF. See the Owner's Manuals for all components of the welding circuit for additional EMF exposure information.

- The EMF assessment on this equipment was conducted at 0.5 meter.
- At a distance of 1 meter the EMF exposure values were less than 20% of the permissible values.

ce-emf 1 2010-10

## C. Information On Electromagnetic Compatibility (EMC) For Si 160 And STi 160 Models

**⚠ This Class A equipment is not intended for use in residential locations where the electrical power is provided by the public low voltage supply system. There can be potential difficulties in ensuring electromagnetic compatibility in those locations, due to conducted as well as radiated disturbances.**

This equipment does not comply with IEC 61000-3-12. If it is connected to a public low voltage system, it is the responsibility of the installer or user of the equipment to ensure, by consultation with the distribution network operator if necessary, that the equipment can be connected. IEC/TS 61000-3-4 can be used to guide parties concerned by the installation of arc welding equipment with an input current greater than 16 A in a low voltage network.

ce-emc 2 2014-07

## D. Information On Electromagnetic Compatibility (EMC) For Si 160 PFC Model

**⚠ This Class A equipment is not intended for use in residential locations where the electrical power is provided by the public low-voltage supply system. There can be potential difficulties in ensuring electromagnetic compatibility in those locations, due to conducted as well as radiated disturbances.**

This equipment complies with IEC 61000-3-11 and IEC 61000-3-12.

ce-emc 4 2014-07

# SECTION 4 – INSTALLATION

## 4-1. Selecting a Location

**Movement**

**⚠ Do not move or operate unit where it could tip.**

**Location And Airflow**

**⚠ Special installation may be required where gasoline or volatile liquids are present – see NEC Article 511 or CEC Section 20.**

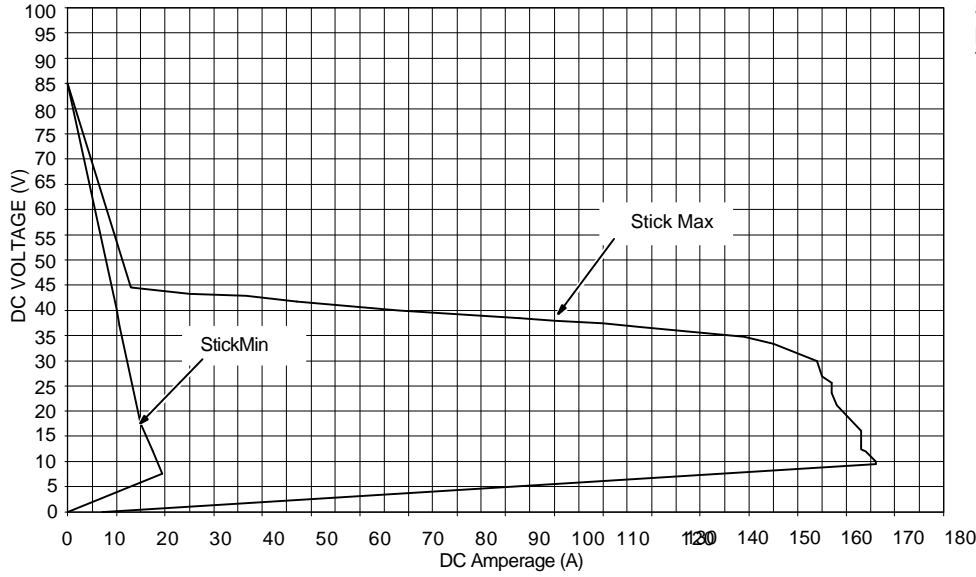
1 Lifting Handle  
Use handle to lift unit.  
2 Line Disconnect Device  
Locate unit near correct input power supply.

loc\_small 2015-04

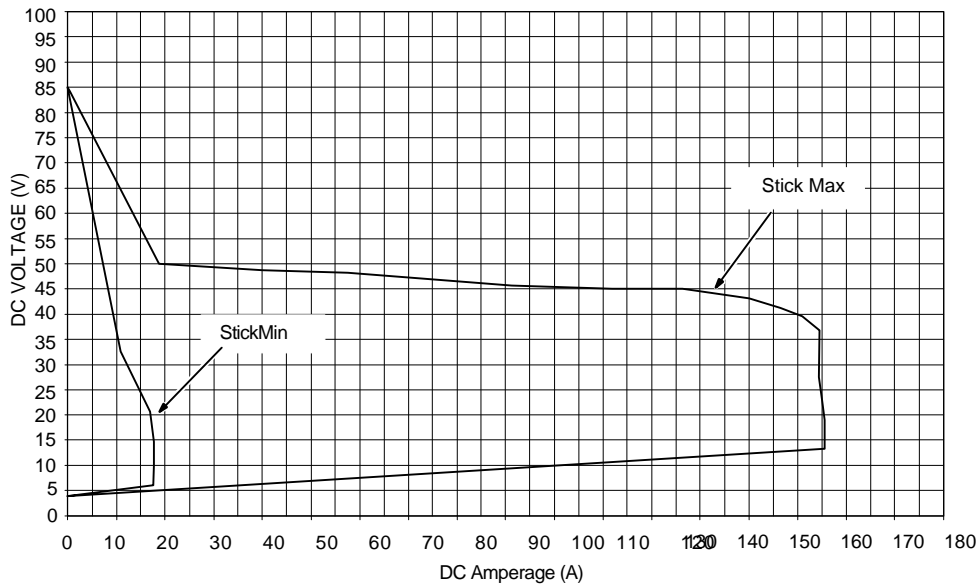
## 4-2. Volt-Ampere Curves

Volt-ampere curves show minimum and maximum voltage and amperage output capabilities of welding power source. Curves of other settings fall between curves shown.

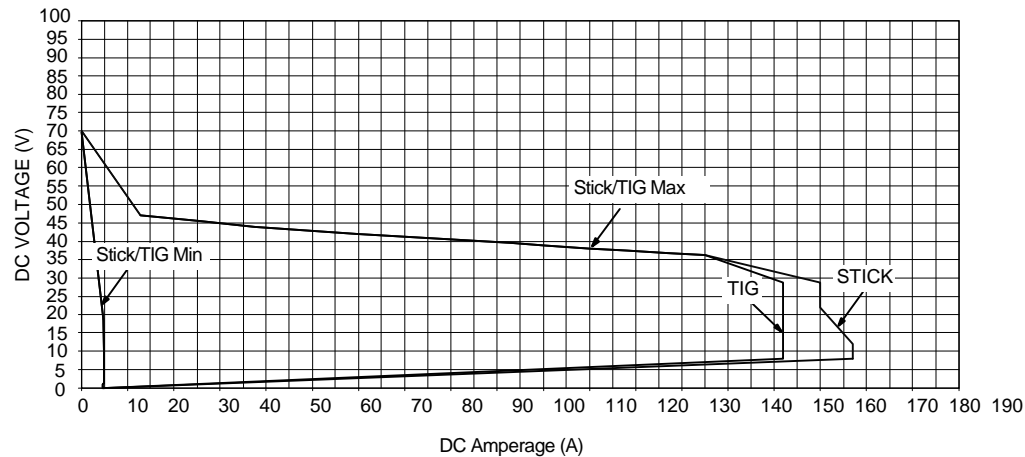
**Si160MaxOutput - 150A; Si160MinOutput - 15A**



**Si160PFCMaxOutput - 150A; Si160PFCMinOutput - 15A**



**Sti160 MaxOutput-160A; Sti160 MinOutput-4A**



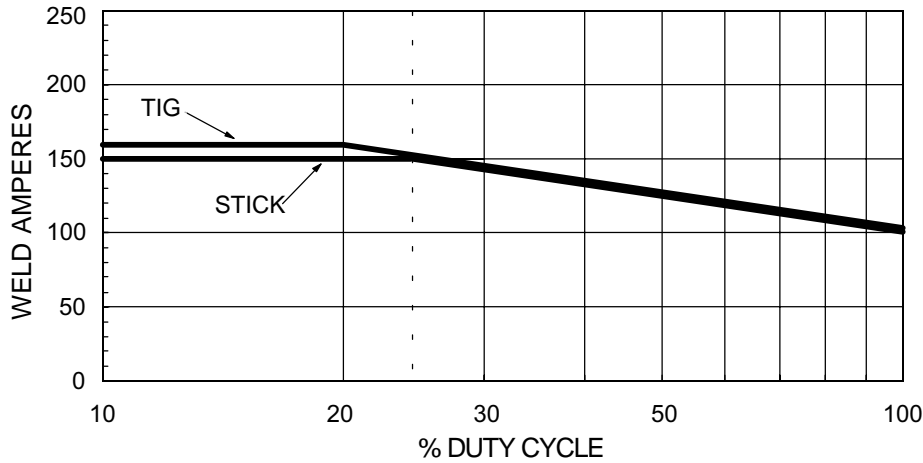
### 4-3. Duty Cycle And Overheating



Duty Cycle is percentage of 10 minutes that unit can weld at rated load without overheating.

If unit overheats, output stops, the Overtemperature Light comes On, and the cooling fan runs. Wait fifteen minutes for unit to cool. Reduce amperage or duty cycle before starting to weld again.

**NOTICE** – Exceeding duty cycle can damage unit and void warranty.



### 4-4. Remote 6 Receptacle Information (STi Model Only)

	REMOTE 6	Socket	Socket Information
	15 VOLTS DC OUTPUT CONTACTOR	1	Contact control +13.8 volts DC.
2		Contact closure to 1 completes contactor control circuit and enables output when Lift-Arc TIG remote is selected.	
REMOTE OUTPUT CONTROL	3	Output to remote control; +10 volts DC output to remote control.	
	4	0 to +10 volts DC input command signal from remote control.	
	5	Remote control circuit common.	
CHASSIS	6	Chassis common.	

## 4-5. Selecting Cable Sizes\*

**NOTICE** – The Total Cable Length in Weld Circuit (see table below) is the combined length of both weld cables. For example, if the power source is 30 m (100 ft) from the workpiece, the total cable length in the weld circuit is 60 m (2 cables x 30 m). Use the 60 m (200 ft) column to determine cable size.

Welding Amperes	Weld Cable Size** and Total Cable (Copper) Length in Weld Circuit Not Exceeding***							
	30 m (100 ft) or Less		45 m (150 ft)	60 m (200 ft)	70 m (250 ft)	90 m (300 ft)	105 m (350 ft)	120 m (400 ft)
	10 – 60% Duty Cycle mm <sup>2</sup> (AWG)	60 – 100% Duty Cycle mm <sup>2</sup> (AWG)	10 – 100% Duty Cycle mm <sup>2</sup> (AWG)					
100	20 (4)	20 (4)	20 (4)	30 (3)	35 (2)	50 (1)	60 (1/0)	60 (1/0)
150	30 (3)	30 (3)	35 (2)	50 (1)	60 (1/0)	70 (2/0)	95 (3/0)	95 (3/0)
200	30 (3)	35 (2)	50 (1)	60 (1/0)	70 (2/0)	95 (3/0)	120 (4/0)	120 (4/0)



\* This chart is a general guideline and may not suit all applications. If cable overheats, use next size larger cable.

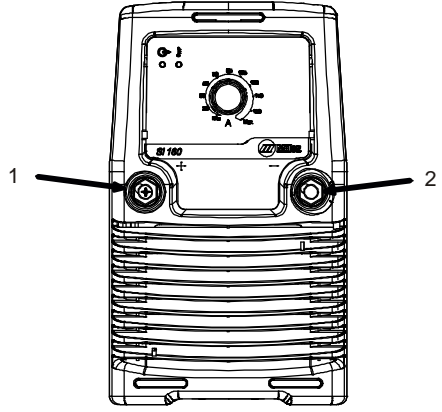
\*\*Weld cable size is based on either a 4 volts or less drop or a current density of at least 300 circular mils per ampere.


\*\*\*For distances longer than those shown in this guide, call a factory applications representative.


Milan Ref. S-0007-L 2015-02

## 4-6. Weld Output Terminals



 Turn off power before connecting to weld output terminals.

 Do not use worn, damaged, undersized, or repaired cables.

- 1 Positive (+) Weld Output Terminal
- 2 Negative (-) Weld Output Terminal

956142809\_3-6\_D  
output term1 2015-02

## 4-7. Electrical Service Guide

Elec Serv 2014-01

**⚠ Failure to follow these electrical service guide recommendations could create an electric shock or fire hazard. These recommendations are for a dedicated circuit sized for the rated output and duty cycle of the welding power source.**

In dedicated circuit installations, the National Electrical Code (NEC) allows the receptacle or conductor rating to be less than the rating of the circuit protection device. All components of the circuit must be physically compatible. See NEC articles 210.21, 630.11, and 630.12.

	Si 160	Sti 160	STi 160 PCF
Input Voltage (V)	230	230	230
Input Amperes (A) At Rated Output	30	30	22
Max Recommended Standard Fuse Rating In Amperes <sup>1</sup>			
Time-Delay Fuses <sup>2</sup>	35	35	25
Normal Operating Fuses <sup>3</sup>	45	45	30
Min Input Conductor Size In mm <sup>2</sup> (AWG) <sup>4</sup>	4 (12)	4 (12)	2.5 (14)
Max Recommended Input Conductor Length In Meters (Feet)	24 (80)	24 (80)	16 (53)
Min Grounding Conductor Size In mm <sup>2</sup> (AWG) <sup>4</sup>	4 (12)	4 (12)	2.5 (14)

Reference: 2014 National Electrical Code (NEC) (including article 630)

1 If a circuit breaker is used in place of a fuse, choose a circuit breaker with time-current curves comparable to the recommended fuse.

2 "Time-Delay" fuses are UL class "RK5" . See UL 248.

3 "Normal Operating" (general purpose - no intentional delay) fuses are UL class "K5" (up to and including 60 amps), and UL class "H" ( 65 amps and above).

4 Conductor data in this section specifies conductor size (excluding flexible cord or cable) between the panelboard and the equipment per NEC Table 310.15 (B)(16). If a flexible cord or cable is used, minimum conductor size may increase. See NEC Table 400.5(A) for flexible cord and cable requirements.

## Notes

---

---

---

---

---

---

---

---

---

---

---

---

---

---

---

---

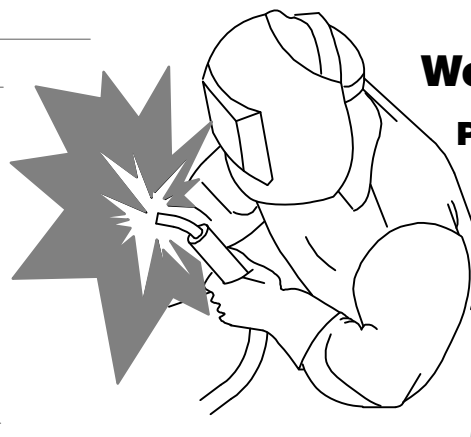
---

---

---

---

---



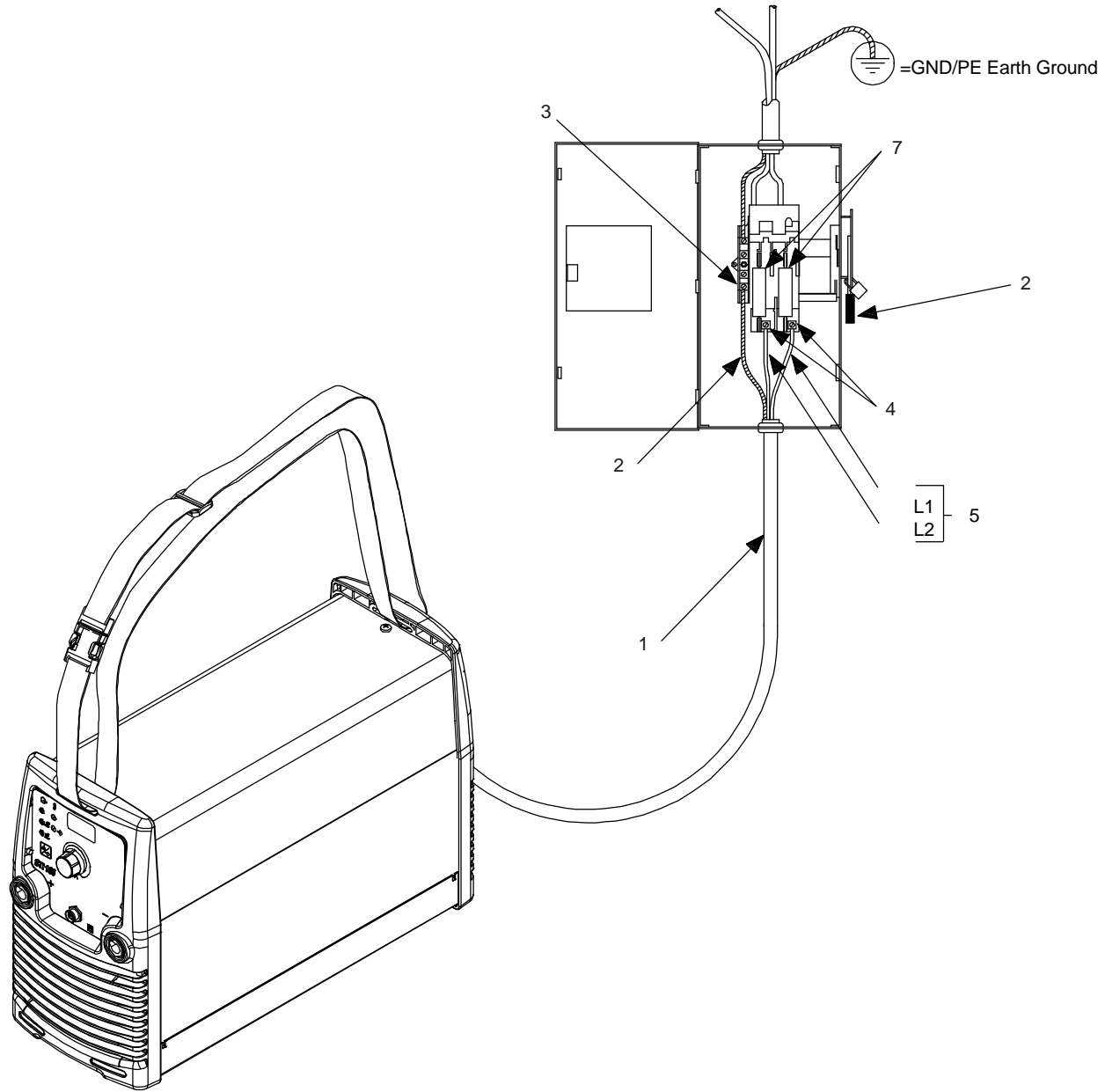
**Work like a Pro!**

**Pros weld and cut safely. Read the safety rules at the beginning of this manual.**





## 4-8. Connecting 1-Phase Input Power



Tools Needed:



## 4-8. Connecting 1-Phase Input Power (Continued)



**⚠** Installation must meet all National and Local Codes – have only qualified persons make this installation.

**⚠** Disconnect and lockout/tagout input power before connecting input conductors from unit. Follow established procedures regarding the installation and removal of lockout/tagout devices.

**⚠** Always connect green or green/yellow conductor to supply grounding terminal first, and never to a line terminal.

☞ See Section 4-9 for information on con-

necting unit to an engine generator.

See rating label on unit and check input voltage available at site.

- 1 Input Power Cord
- 2 Disconnect Device (switch shown in the OFF position)
- 3 Disconnect Device Grounding Terminal
- 4 Disconnect Device Line Terminals
- 5 Black And White Input Conductor (L1 And L2)
- 6 Green Or Green/Yellow Grounding Conductor

Connect green or green/yellow grounding conductor to disconnect device grounding terminal first.

Connect input conductors L1 and L2 to disconnect device line terminals.

### 7 Over-Current Protection

Select type and size of over-current protection using Section 4-7 (fused disconnect switch shown).

Close and secure door on disconnect device. Follow established lockout/tagout procedures to put unit in service.

input4 2012-05 – 803 766-C

## 4-9. Connecting To 1-Phase Engine Generator w/230 Volt Output

**⚠** Installation must meet all National and Local Codes – have only qualified persons make this installation.

☞ Obtain a 230 volt plug that matches the receptacle on the engine generator. Install the plug on the cord of the welding power source according to the plug manufacturer's instructions.

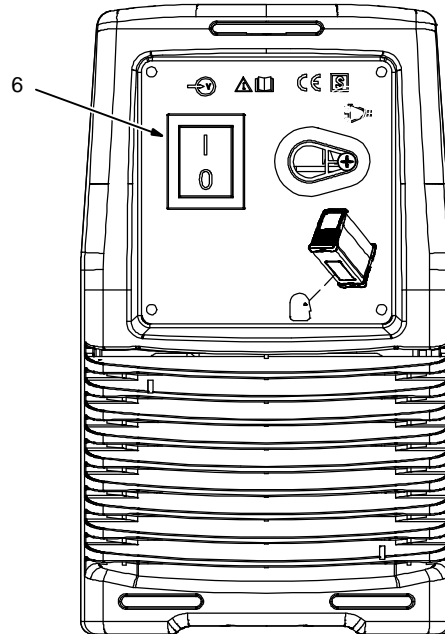
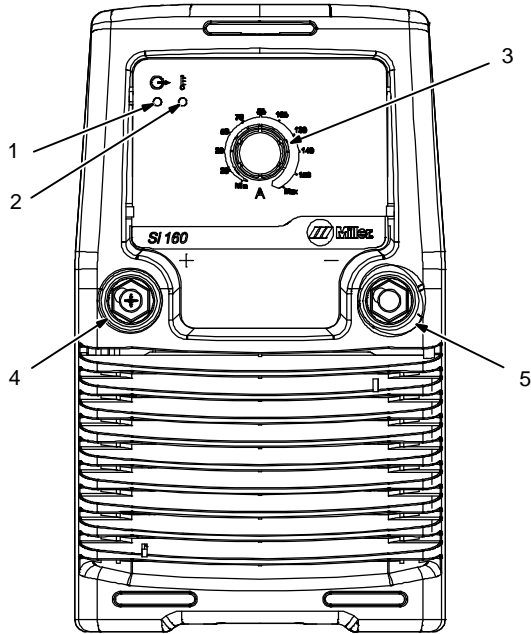
### Generator Requirements

- Engine generator must provide the correct input amperage (see Section 4-7).
- Peak voltage must be less than 423 volts AC
- RMS voltage must be greater than 180 volts AC.
- Frequency must be between 50 and 60 Hz

**NOTICE** – Make sure welding power source is off during engine generator start-up. Do not turn on the welding power source until the generator has reached normal operating speed.

# SECTION 5 – OPERATION

## 5-1. Controls (Si Models)



956142809\_3-6\_D

**⚠ Weld output terminals are energized when power is On and Ready Light (LED) is lit.**

1 Ready Light (LED)

Light comes on approximately two seconds after power switch is placed in On (I) position if Stick has been selected. The light indicates that the unit is energized and ready for welding.

2 High Temperature Light (LED)

Light comes on if unit overheats. Welding can resume when unit has cooled (see Section 4-3).

3 Amperage Adjustment Control

See Section 5-2.

4 Positive Weld Output Receptacle

For Stick welding, connect electrode cable to this receptacle.

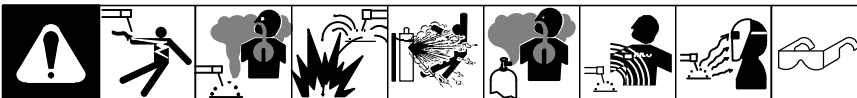
5 Negative Weld Output Receptacle

For Stick welding, connect work cable to this receptacle.

6 Power Switch

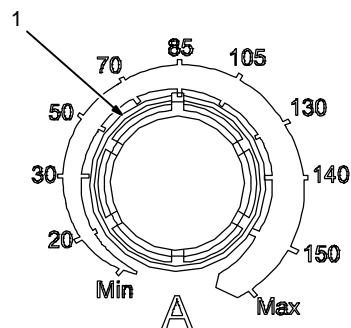
Place switch in On (I) position to turn unit on. Place switch in Off (O) position to turn unit off.

## 5-2. Amperage Adjustment Control

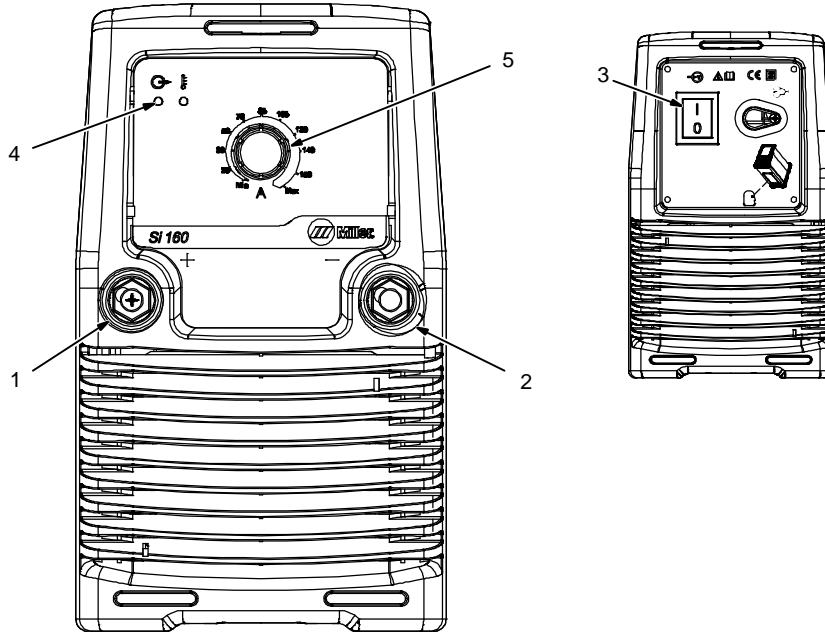
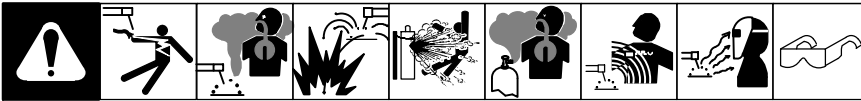


1 Amperage Adjustment Control

Rotate knob clockwise to increase amperage (Min – Max).



## 5-3. Preparing Unit For Stick Welding (Si Models)



**⚠** Weld output terminals are energized when power is On, and Ready Light is lit.

- 1 Positive Weld Output Receptacle

Connect electrode cable to this receptacle.

- 2 Negative Weld Output Receptacle

Connect work cable to this receptacle.

- 3 Power Switch

Place switch in On (I) position.

- 4 Ready Light (LED)

Allow time for unit to complete its start up cycle. Light comes on approximately two seconds after power switch is placed in On (I) position. The light indicates that the unit is energized and ready for welding.

- 5 Amperage Adjustment Control  
Set amperage, see Section 5-2.

956142809\_3-6\_D

## Notes

---

---

---

---

---

---

---

---

---

---

---

---

---

---

---

---

---

---

---

---

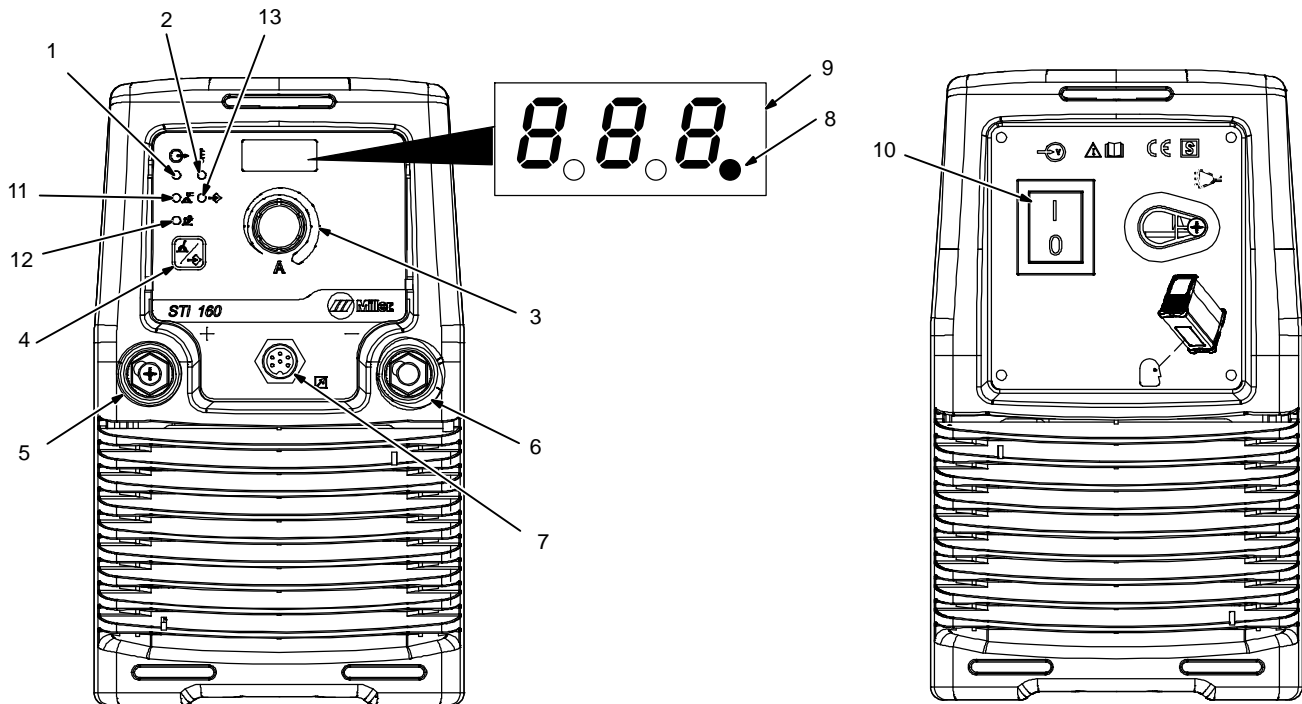
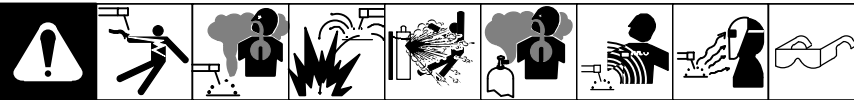
---

---

---

---

## 5-4. Controls For STi 160



956142809\_3-6\_D

**⚠ Weld output terminals are energized when power is On, and Ready Light is lit.**

### 1 Ready Light (LED)

Light comes on approximately two seconds after power switch is placed in On (I) position. The light indicates that the unit is energized and ready for welding.

### 2 High Temperature Light (LED)

Light comes on if unit overheats. Welding can resume when unit has cooled (see Section 4-3).

### 3 Amperage/Set-Up Adjustment Control

Use control to adjust welding amperage and change values while in the set-up mode.

### 4 Process/Set-Up Selector Switch

See Section 5-5 and/or 5-6

### 5 Positive Weld Output Receptacle

For Stick welding, connect electrode cable to this receptacle. For TIG welding, connect work cable to this receptacle.

### 6 Negative Weld Output Receptacle

For Stick welding, connect work cable to this receptacle. For TIG welding, connect torch to this receptacle.

### 7 Remote Control Receptacle

Connect remote control to receptacle (see Section 4-4). For TIG and Stick welding, output may be adjusted from min to max of the front panel setting with the remote control.

### 8 Remote Control Pixel

Pixel flashes when a remote control is connected to the remote control receptacle.

**ⓘ** When a foot or finger remote control is connected, remote trigger is not enabled. Only amperage adjustment is controlled by the

remote control and by the Amperage/Set-up Adjustment control.

### 9 Ammeter And Parameter Display (Meter)

Meter displays actual amperage while welding. Meter also displays preset parameters for any of the following: time, set-up, and overheating alarm.

### 10 Power Switch

Place switch in On (I) position to turn unit on. Place switch in Off (O) position to turn unit off. Upon power up, unit will recall and display the last welding procedure, or factory default procedure (see Section 5-7).

### 11 Stick Welding Light (LED)

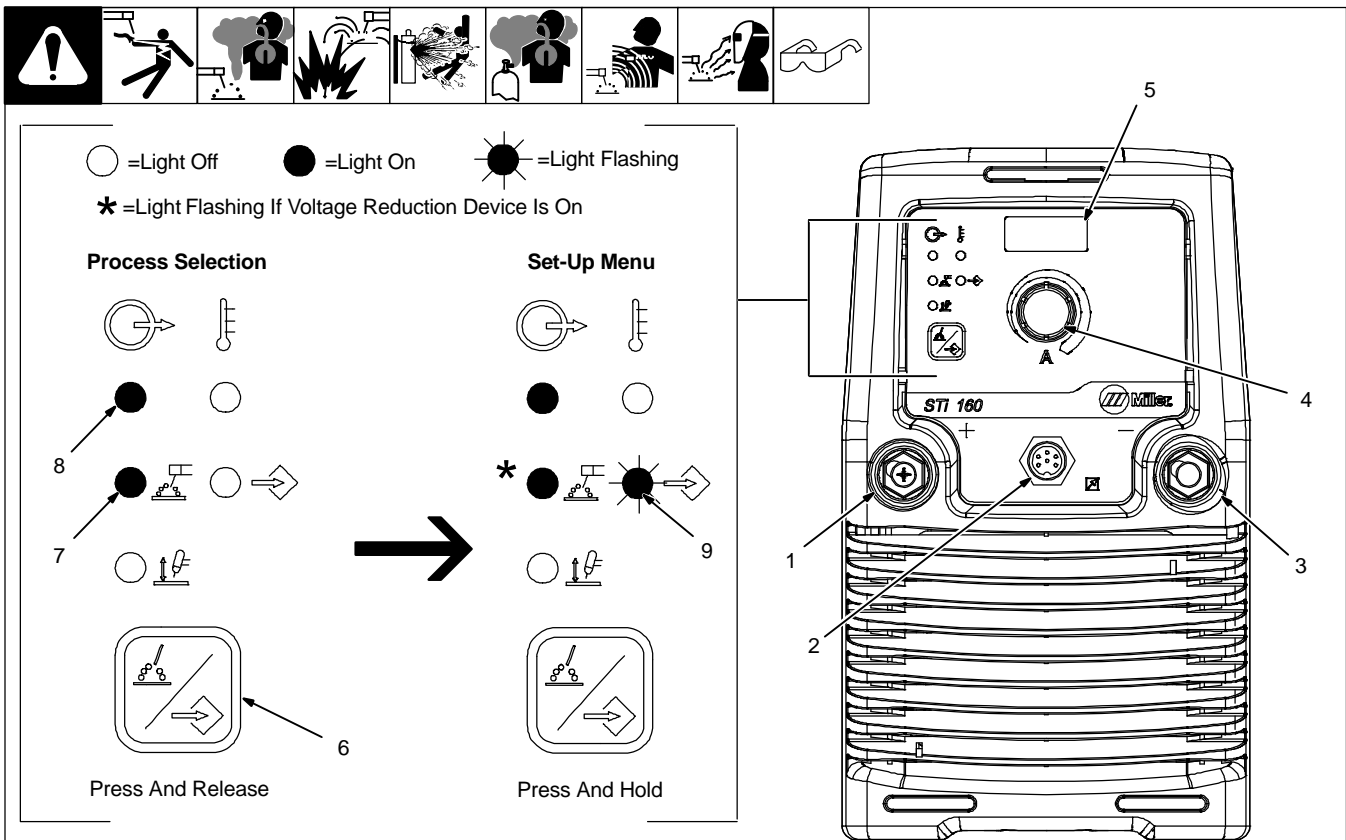
See Section 5-5).

### 12 TIG Lift Arc Start Light (LED)

See Section 5-6).

### 13 Set-Up Light (LED)

## 5-5. Preparing Unit For Stick Welding (STi Model)



**⚠ Weld output terminals are energized when power is On, and Ready Light is lit.**

- 1 Positive Weld Output Terminal
- 2 Remote Control Receptacle
- 3 Negative Weld Output Terminal
- 4 Amperage/Set-Up Adjustment Control
- 5 Ammeter And Parameter Display (Meter)
- 6 Process/Set-Up Selector Switch
- 7 Stick Welding Light (LED)
- 8 Ready Light (LED)
- 9 Set-Up Light (LED)

Prepare unit for Stick welding as follows:

Connect electrode holder to positive weld output receptacle.

Connect work clamp to negative weld output terminal.

If desired, connect an optional remote control to the remote control receptacle to remotely control weld amperage.

Turn power on. Allow time for unit to complete its start up cycle.

Press and release Amperage/Set-Up Adjustment control to select Stick welding and light corresponding LED. Display meter displays ARC for three seconds and then the factory default setting of 80 amperes.

### Voltage Reduction Setting

To change voltage reduction setting, pro-

ceed as follows:

Press and hold Process/Set-Up Adjustment Control to enter set-up mode.

Upon entry, the Set-Up light begins to flash, and the display meter displays VRD.

Voltage Reduction default is Off. Use Amperage/Set-Up Adjustment control to enable or turn setting On.

When Voltage Reduction is enabled, Stick Welding light flashes continuously. VRD is set to 20 volts

**☞ Unit will automatically exit the set-up menu if no activity is detected for more than three seconds. Press and hold Process/Set-Up Adjustment control to re-enter set-up mode.**

### Hot Start Setting

Use Hot Start to increase output amperage at the start of a weld to help prevent electrode sticking.

To change Hot Start setting, proceed as follows:

While in the set-up menu, press and release Process/Set-Up Selector switch. The Set-Up light will continue to flash.

The display meter will display HS.

Use the Amperage/Set-Up Adjustment control to change amperage from 0 to 50 percent of the preset amperage value, with 15 percent being the default value. The maximum Hot Start amperage value is 150 amps.

Example: If preset amperage is 90 amps, 0% = 90 amps, 50% = 135 amps.

### Arc Force Setting:

Use Arc Force to increase short-circuit amperage at low arc voltage. Set at 0 for normal welding amperage. Turn control clockwise to increase short-circuit amperage.

To change Arc Force setting, proceed as follows:

While in the set-up menu, press and release the Process/Set-Up Selector switch. The Set-Up light continues to flash.

Use the Amperage/Set-Up Adjustment control to change amperage from 0 to 50 percent of the preset amperage value, with 15 percent being the default value. The maximum Arc Force setting is 150 amps.

Example: If preset amperage is 90 amps, 0% = 90 amps, 50% = 135 amps.

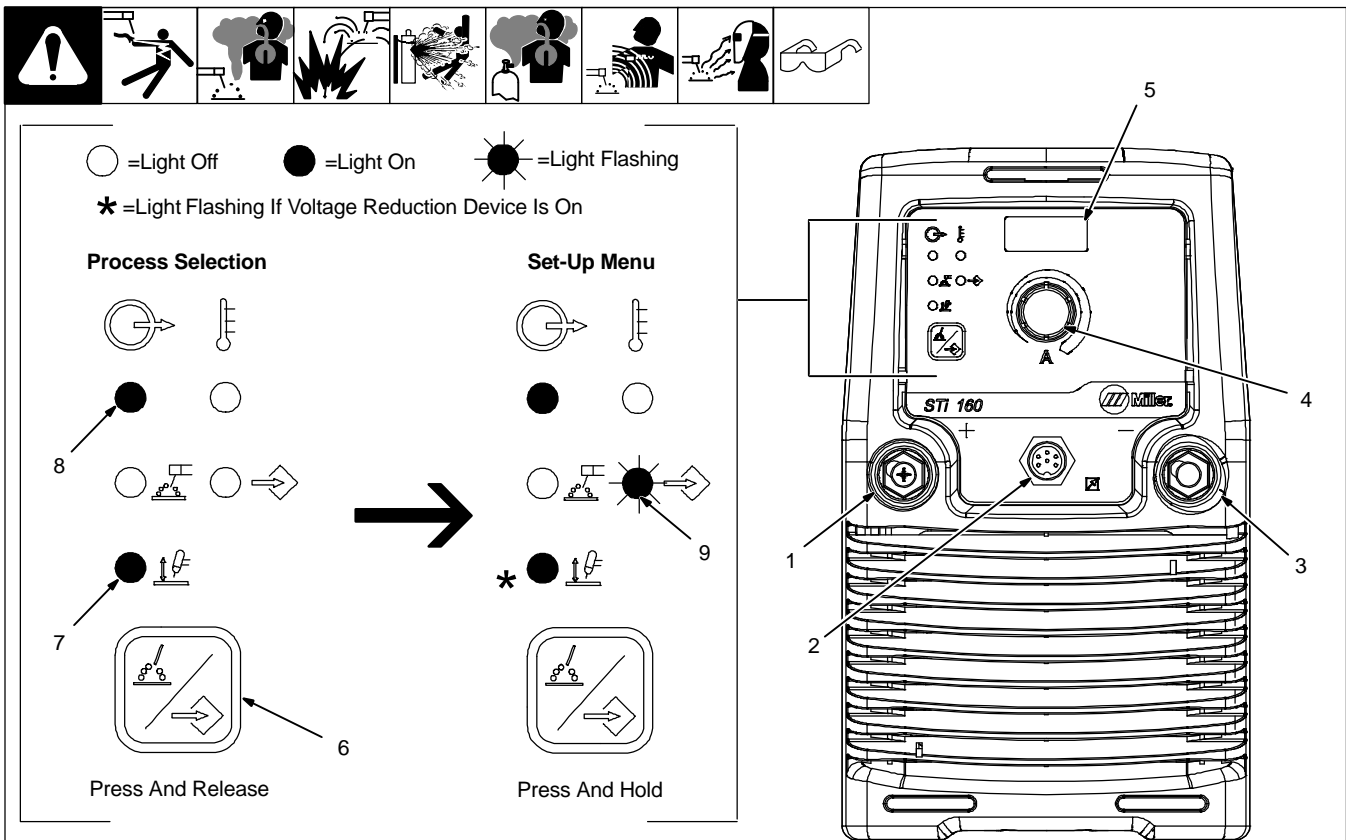
### Anti Stick

Anti Stick prevents the electrode from sticking while welding.

This function is automatically active while using the Stick welding process. Anti Stick increases amperage when arc voltage is below ten volts for more than two seconds.

**☞ The amperage range while Stick welding is from 4 to 150 amps.**

## 5-6. Preparing Unit For TIG Welding (STi Model)



**⚠ Weld output terminals are energized when power is On, and Ready Light is lit.**

- 1 Positive Weld Output Terminal
- 2 Remote Control Receptacle
- 3 Negative Weld Output Terminal
- 4 Amperage/Set-Up Adjustment Control
- 5 Ammeter And Parameter Display (Meter)
- 6 Process/Set-Up Selector Switch
- 7 TIG Welding Light (LED)
- 8 Ready Light (LED)
- 9 Set-Up Light (LED)

Prepare unit for TIG welding as follows:  
 Connect electrode holder to negative weld output receptacle.

Connect work clamp to positive weld output terminal.

If desired, connect a remote control to the remote control receptacle.

Turn power on. Allow time for unit to complete its start up cycle.

Press and release Amperage/Set-Up Adjustment control to select TIG welding and light corresponding LED. Display meter displays TIG for three seconds

and then the factory default setting of 50 amperes.

### Voltage Reduction Setting

To change voltage reduction setting, proceed as follows:

Press and hold Amperage/Set-Up Adjustment Control to enter set-up mode.

Upon entry, the Set-Up light begins to flash, and the display meter displays VRD.

Voltage Reduction default is Off. Use Amperage/Set-Up Adjustment control to enable or turn setting On.

When Voltage Reduction is enabled, TIG Welding light flashes continuously. VRD is set to 20 volts.

**☞ Unit will automatically exit the set-up menu if no activity is detected for more than three seconds. Press and hold Amperage/Set-Up Adjustment control to re-enter set-up mode.**

### Slope Down Setting

To change Slope Down setting, proceed as follows:

While in the set-up menu, press and release the Process/Set-Up Selector

switch. The Set-up light continues to flash.

The display meter will display SL.

Use the Amperage/Set-Up Adjustment control to reduce amperage over a set period of time (0–10 seconds) at the end of the weld. The default setting is 0 seconds.

### Application:

Slope Down should be used while TIG welding materials that are crack sensitive, and/or the operator wants to eliminate the crater at the end of the weld.

### Anti Stick

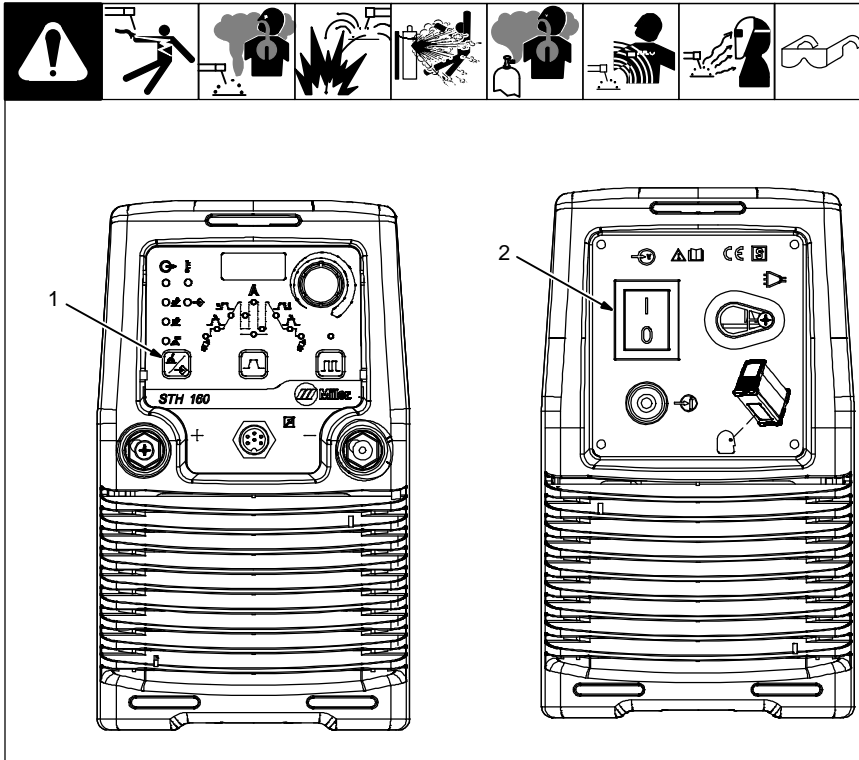
Anti Stick prevents the electrode from sticking while welding.

This function is automatically active while using the TIG welding process. Anti Stick increases amperage when arc voltage is below four volts for more than two seconds.

**☞ The amperage range while TIG welding is from 4 to 160 amps.**



## 5-7. Resetting Unit To Factory Default Settings (STi Model Only)



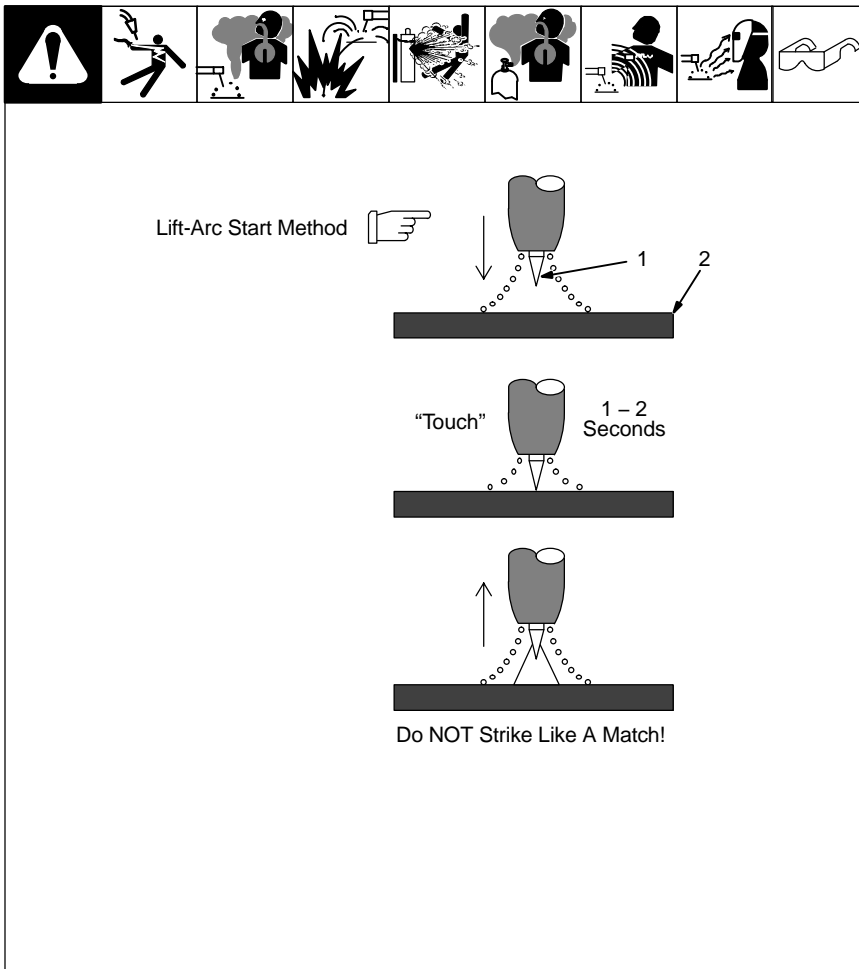
☞ This procedure will delete all operator specified parameters, and recall all factory parameters.

- 1 Process/Set-up Switch
- 2 Power Switch

Turn unit off. Turn unit on while pressing and holding Process/Set-up switch; wait for a beep signal (about two seconds). Factory default settings are now restored.

956142809\_3-6\_D

## 5-8. Lift-Arc™ And HF TIG Start Procedures



### Lift-Arc Start

When Lift-Arc button light is On, start arc as follows:

- 1 TIG Electrode
- 2 Workpiece

Touch tungsten electrode to workpiece at weld start point, enable output and shielding gas with torch trigger, foot control, or hand control. **Hold electrode to workpiece for 1-2 seconds**, and slowly lift electrode. Arc is formed when electrode is lifted.

Normal open-circuit voltage is not present before tungsten electrode touches workpiece; only a low sensing voltage is present between electrode and workpiece. The solid-state output contactor does not energize until after electrode is touching workpiece. This allows electrode to touch workpiece without overheating, sticking, or getting contaminated.

### Application:

Lift-Arc is used for the DCEN or AC GTAW process when HF Start method is not permitted, or to replace the scratch method.

### HF Start

When HF Start button light is On, start arc as follows:

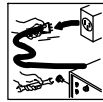
High frequency turns on to help start arc when output is enabled. High frequency turns off when arc is started, and turns on whenever arc is broken to help restart arc.

### Application:

HF start is used for the DCEN GTAW process when a non-contact arc starting method is required.

# SECTION 6 – MAINTENANCE AND TROUBLESHOOTING

## 6-1. Routine Maintenance

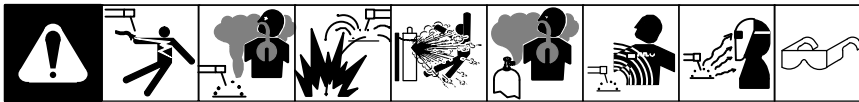


⚠ Disconnect power before maintaining.

🔧 Maintain more often during severe conditions.

🕒	✓ = Check * To be done by Factory Authorized Service Agent	◇ = Change	● = Clean	Δ = Repair	☆ = Replace
Every 3 Months	 ✓☆ Labels	 ✓☆ Gas Hoses	 ● Weld Terminals		
Every 3 Months	 ✓Δ☆ Cables And Cords				
Every 6 Months	<p>⚠ Do not remove case when blowing out inside of unit. Blow out inside. Direct airflow through front and back louvers.</p> <p>●: During heavy service, clean monthly.</p>				

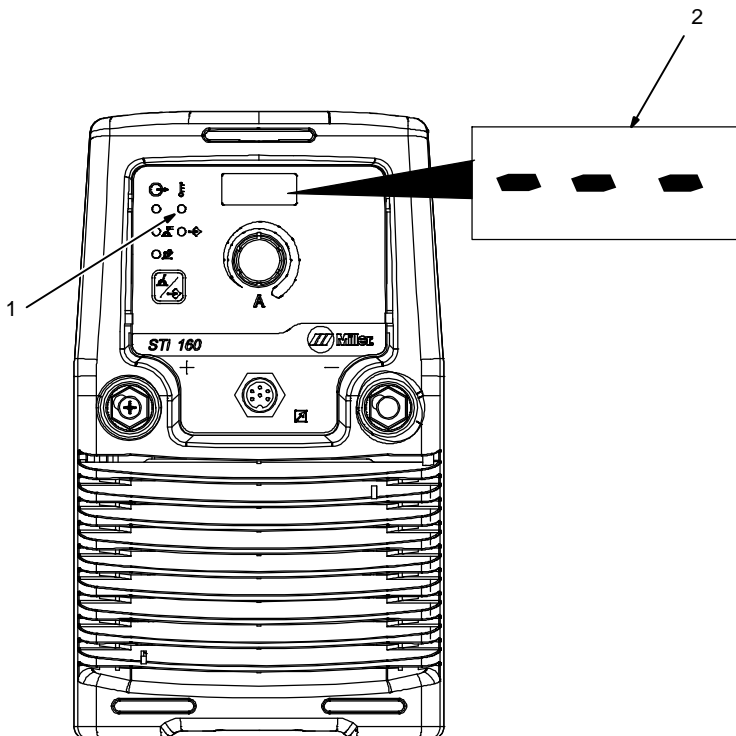
## 6-2. High Temperature Help Display



- 1 High Temperature Light (LED)
- 2 Meter Help Display

When unit over heats, High Temperature light turns on and unit emits an audible beep. The meter displays three dashes as shown. Unit shuts down and fans run until temperature drops within normal operating range (see Section 4-3).

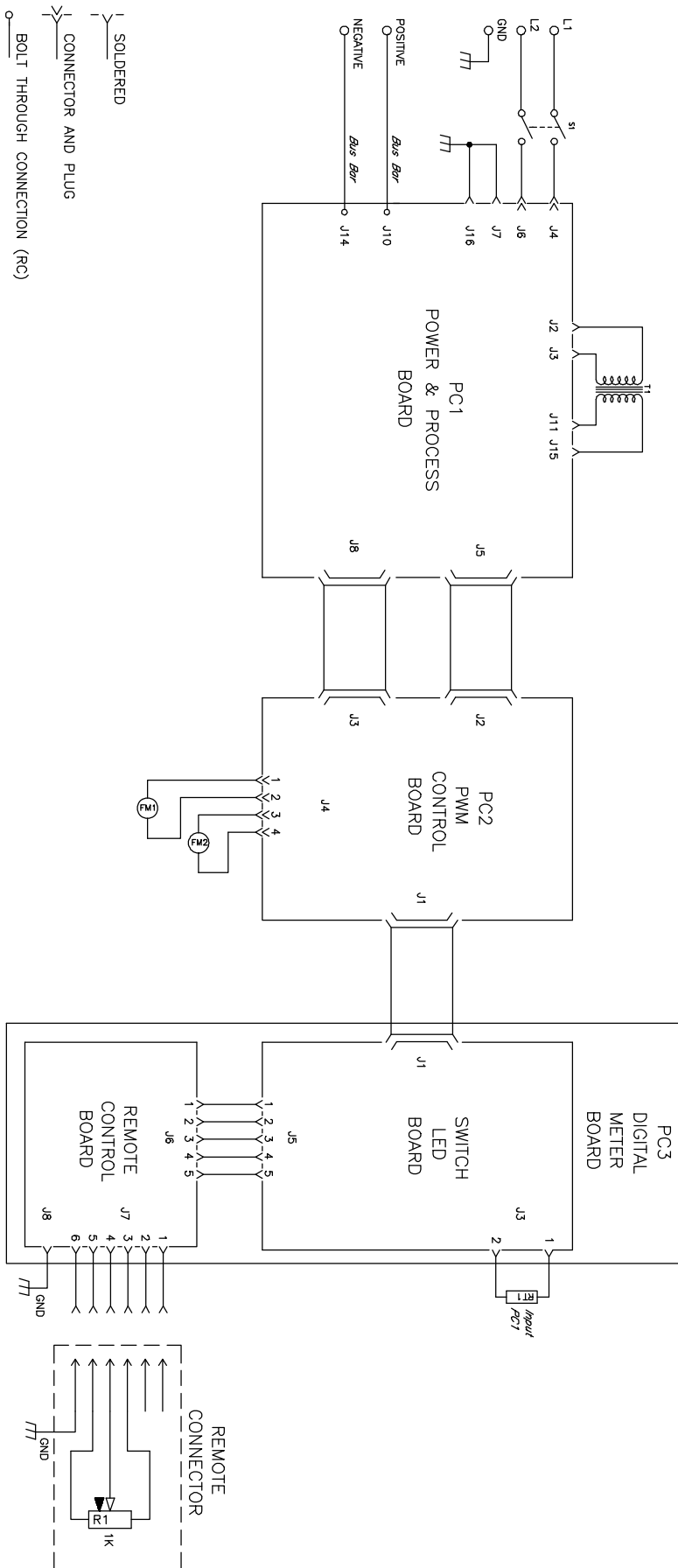
**NOTICE** – Wait at least four minutes before checking to see if temperature is within normal operating range.



956142809\_3-6\_D

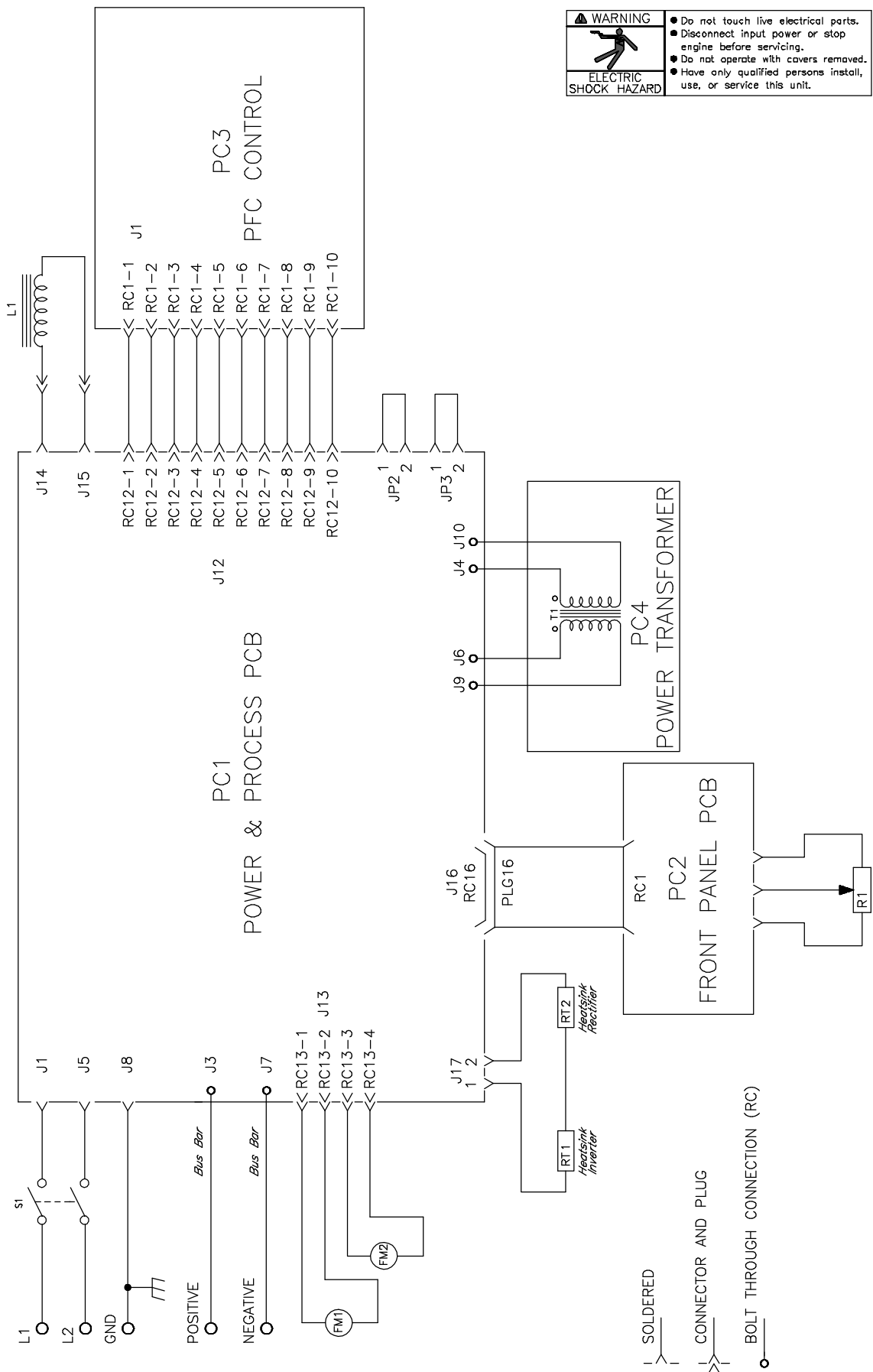






	<b>WARNING</b>
	<ul style="list-style-type: none"> <li>Do not touch live electrical parts.</li> <li>Disconnect input power or stop engine before servicing.</li> <li>Do not operate with covers removed.</li> <li>Have only qualified persons install, use, or service this unit.</li> </ul>
<b>ELECTRIC SHOCK HAZARD</b>	

Figure 7-2. Circuit Diagram For STi 160



**WARNING**


- Do not touch live electrical parts.
- Disconnect input power or stop engine before servicing.
- Do not operate with covers removed.
- Have only qualified persons install, use, or service this unit.

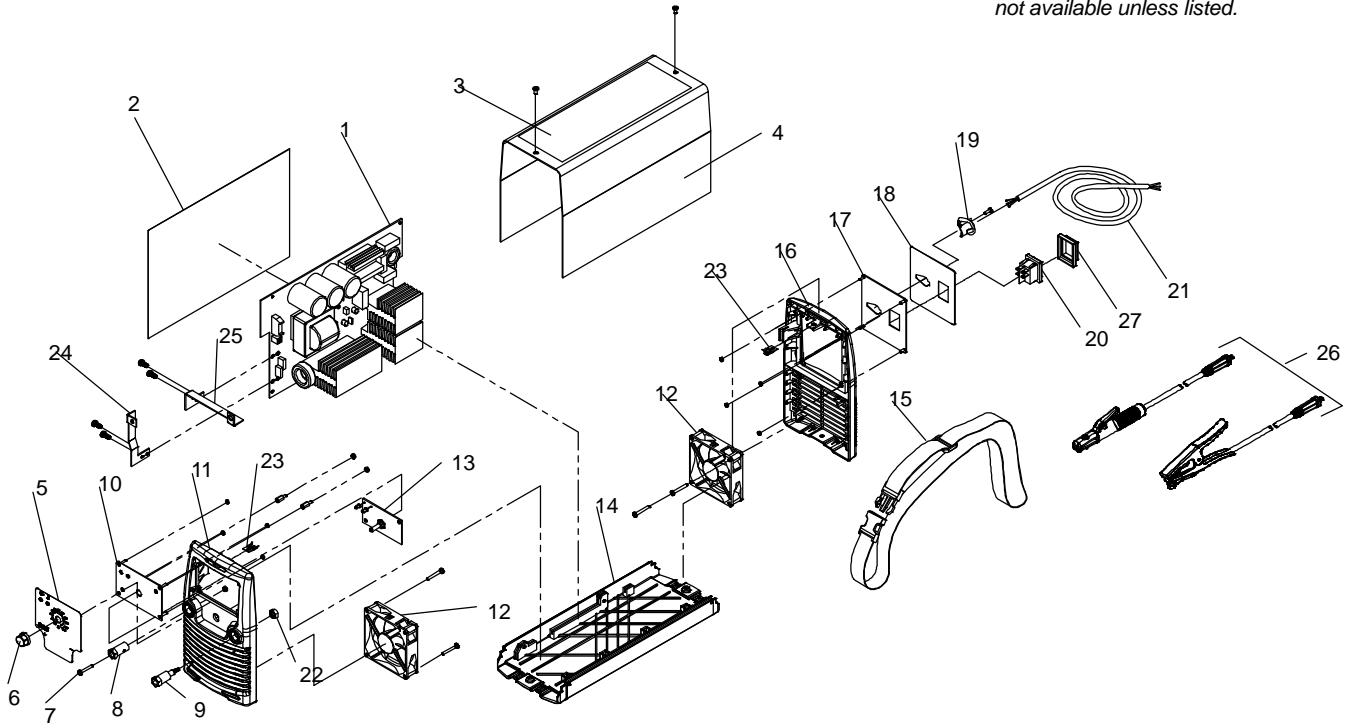
**ELECTRIC SHOCK HAZARD**

Figure 7-3. Circuit Diagram For Si 160 PFC



# SECTION 8 – PARTS LIST FOR Si MODELS

 Hardware is common and not available unless listed.



956 142809\_4-6\_D

**Figure 8-1. Main Assembly For Si 160**

Item No.	Dia. Mkgs.	Part No.	Description	Quantity
----------	------------	----------	-------------	----------

## 8-1. Main Assembly For Si 160

...	1	PC1	057084156	. Kit, PCB Assy	1
...	2		756033051	. Insulator	1
...	3		956142819	. Label, Warning	1
...	4		+156121043	. Wrapper	1
...	5		356029228	. Nameplate, Front	1
...	6		000193920	. Knob, Pointer	1
...	7		000244862	. Screw, M5– 8x12 Soc Hd–torx Stl Pld Sems Piloted	1
...	8		000208498	. Receptacle, Twist Lock Power	1
...	9		000208612	. Receptacle, Twist Lock Power/Gas	1
...	10		156005157	. Plate, Front Upper Pcb Support	1
...	11		156118074	. Panel Front	1
...	12	FM1,FM2	056126080	. Fan, W/Leads And Plug	2
...	13	PC2	057084157	. Circuit Board,Operator Interface	1
...	14		+156006070	. Base	1
...	15		057116002	. Strap, Shoulder	1
...	16		156118075	. Panel, Rear	1
...	17		+056052011	. Plate, Rear Power Switch/Cable Support	1
...	18		356029230	. Nameplate, Rear	1
...	19		656089045	. Strain Relief	1
...	20	S1	056067277	. Switch, 16a 250vac	1
...	21		057014232	. Cable, Power	1
...	22		000208497	. Nut, M8–1.2 13mm Hex 8,3 Mm T Semi Cone Washer	1
...	23		000208558	. Term, Friction 250x0,32	2
...	24		156005159	. Bracket, Pcb Assy Support	1



Item No.	Dia. Mkgs.	Part No.	Description	Quantity
----------	------------	----------	-------------	----------

**8-1. Main Assembly For Si 160 (Continued)**

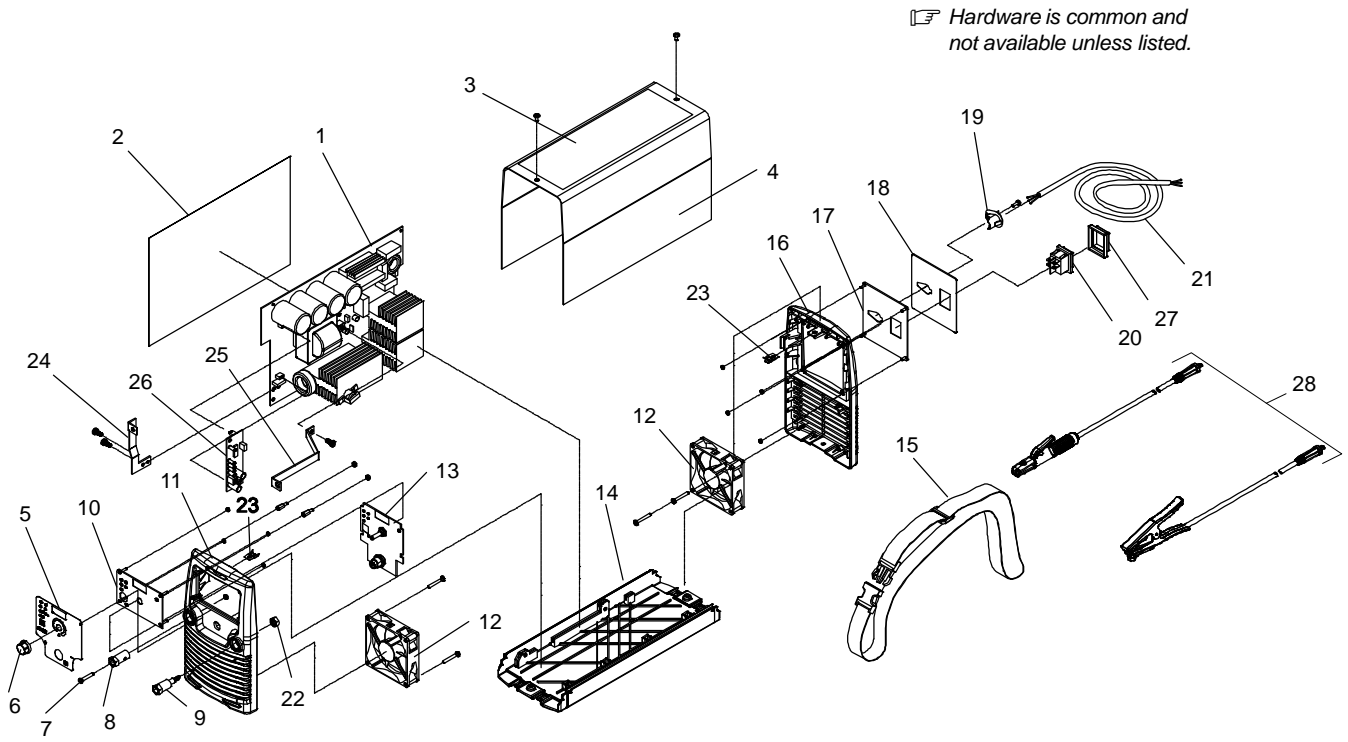
... 25	.....	156005158	. Bracket, pcb assy support	1
... 26	.....	*058066079	. Electrode holder/Ground Clamp Cable set, 3mt	1
... 27	.....	156033037	. Cover switch	1

+ When ordering a component originally displaying a precautionary label, the label should also be ordered.

\* Optional.

**To maintain the factory original performance of your equipment, use only Manufacturer's Suggested Replacement Parts. Model and serial number required when ordering parts from your local distributor.**

# SECTION 9 – PARTS LIST FOR STi MODELS



956142809\_5-6\_F

**Figure 9-1. Main Assembly For STi 160**

Item No.	Dia. Mkgs.	Part No.	Description	Quantity
----------	------------	----------	-------------	----------

## 9-1. Main Assembly For STi 160

...	1	PC1	057084158	. Kit, PCB Assy	1
...	2		756033051	. Insulator	1
...	3		956142819	. Label, Warning	1
...	4		+156121043	. Wrapper	1
...	5		356029229	. Nameplate, Front	1
...	6		000193920	. Knob, Pointer	1
...	7		000244862	. Screw, M5– 8 X 12 Soc Hd–torx Stl Pld Sems Piloted	1
...	8		000208498	. Receptacle, Twist Lock Power	1
...	9		000208612	. Receptacle, Twist Lock Power/Gas	1
...	10		156005160	. Plate, Front Upper Pcb Support	1
...	11		156118074	. Panel Front	1
...	12	FM1,FM2	056126080	. Fan, W/Leads And Plug	2
...	13	PC3	057084159	. Circuit Board,Operator Interface	1
...	14		+156006070	. Base	1
...	15		057116002	. Strap, Shoulder	1
...	16		156118075	. Panel Rear	1
...	17		+056052011	. Plate, Rear Power Switch/Cable Support	1
...	18		356029230	. Nameplate, Rear	1
...	19		656089045	. Strain Relief	1
...	20	S1	056067277	. Switch, 16a 250vac	1
...	21		057014232	. Cable, Power	1
...	22		000208497	. Nut, M8–1.2 13mm Hex 8.3 Mm T Semi Cone Washer	1
...	23		000208558	. Term, Friction 250 X 0.32	2
...	24		156005159	. Bracket, PCB Assy Support	1
...	25		156005161	. Bracket, PCB Assy Support	1

Item No.	Dia. Mkgs.	Part No.	Description	Quantity
----------	------------	----------	-------------	----------

**9-1. Main Assembly For STi 160 (Continued)**

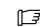
... 26	.. PC2	.... 057084160	. Circuit Board, Pwm	..... 1
... 27	.....	156033037	. Cover Switch	..... 1
... 28	.....	*058066079	. Electrode Holder/Ground Clamp Cable Set, 3mt	..... 1

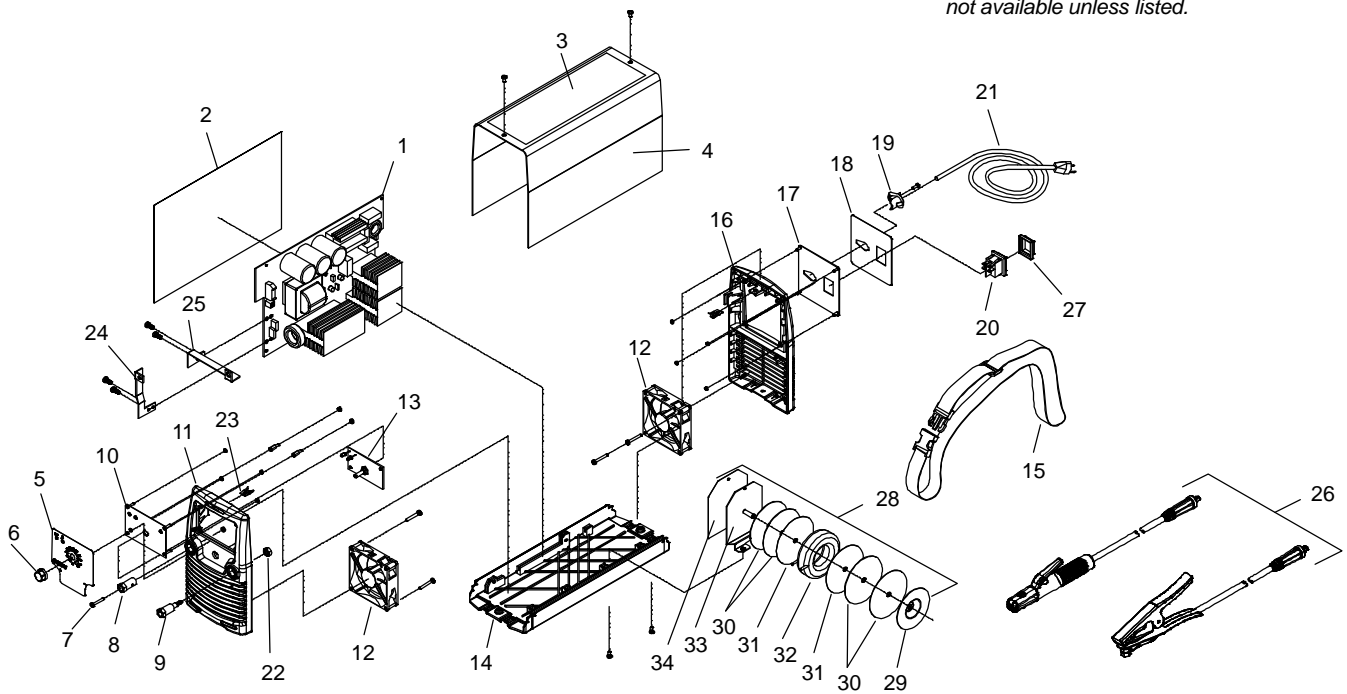
+ When ordering a component originally displaying a precautionary label, the label should also be ordered.

\* Optional.

**To maintain the factory original performance of your equipment, use only Manufacturer's Suggested Replacement Parts. Model and serial number required when ordering parts from your local distributor.**

# SECTION 10 – PARTS LIST FOR Si PFC MODELS

 Hardware is common and not available unless listed.



956172002\_2-A

**Figure 10-1. Main Assembly For Si 160 PFC**

Item No.	Dia. Mkgs.	Part No.	Description	Quantity
----------	------------	----------	-------------	----------

**Figure 10-1. Main Assembly For Si 160 PFC**

...	1	PC1	057084181	. Kit, PCB Assy	1
...	2		756033051	. Insulator	1
...	3		956142819	. Label, Warning	1
...	4		+156121043	. Wrapper	1
...	5		356029256	. Nameplate, Front	1
...	6		193920	. Knob, Pointer	1
...	7		244862	. Screw, M5- 8x12 soc hd-torx stl pld sems piloted	1
...	8		208498	. Receptable, Twist Lock Power	1
...	9		208612	. Receptable, Twist Lock Power/Gas	1
...	10		156005157	. Plate, Front Upper PCB Support	1
...	11		156118074	. Panel Front	1
...	12	FM1,FM2	056126080	. Fan, w/ILEDs And Plug	2
...	13	PC2	057084157	. Circuit Board, Operator Interface	1
...	14		+156006087	. Base	1
...	15		057116002	. Strap, Shoulder	1
...	16		156118075	. Panel, Rear	1
...	17		056052011	. Plate, Rear Power Switch/Cable Support	1
...	18		356029230	. Nameplate, Rear	1
...	19		656089045	. Strain Relief	1
...	20	S1	056067277	. Switch, 16A 250VAC	1

+ When ordering a component originally displaying a precautionary label, the label should also be ordered.

\* Optional.

**To maintain the factory original performance of your equipment, use only Manufacturer's Suggested Replacement Parts. Model and serial number required when ordering parts from your local distributor.**

Item No.	Dia. Mkgs.	Part No.	Description	Quantity
----------	------------	----------	-------------	----------

**Figure 10-1. Main Assembly For Si 160 PFC (Continued)**

... 21		057014275	. Cable, Power w/Plug	1
... 22		000208497	. Nut, M8-1.2 13mm hex 8,3 mm t semi cone washer	1
... 23		000208558	. Term, Friction 250x0,32	2
... 24		156005159	. Bracket, PCB Assy Support	1
... 25		156005158	. Bracket, PCB Assy Support	1
... 26		*058066079	. Electrode Holder/Ground Clamp Cable Set, 3mt	1
... 27		156033037	. Cover, Switch	1
... 28		058066103	. Kit, PFC Inductor Assy	1
... 29		156007047	. Metal Cover PFC Inductor	1
... 30		756033056	. PFC Inductor Rubber Insulator	4
... 31		756033057	. PFC Inductor Mylar Insulator	2
... 32	L1	057098024	. PFC Inductor	1
... 33		156118091	. Panel PFC Inductor	1
... 34		756033058	. Insulator	1

+ When ordering a component originally displaying a precautionary label, the label should also be ordered.

\* Optional.

**To maintain the factory original performance of your equipment, use only Manufacturer's Suggested Replacement Parts. Model and serial number required when ordering parts from your local distributor.**



# TRUE BLUE<sup>®</sup>

## WARRANTY

Effective January 1, 2015  
(Equipment with a serial number preface of MF or newer)

This limited warranty supersedes all previous Miller warranties and is exclusive with no other guarantees or warranties expressed or implied.

LIMITED WARRANTY – Subject to the terms and conditions below, ITW Welding Products Italy warrants to its original retail purchaser that new Miller equipment sold after the effective date of this limited warranty is free of defects in material and workmanship at the time it is shipped by Miller. THIS WARRANTY IS EXPRESSLY IN LIEU OF ALL OTHER WARRANTIES, EXPRESS OR IMPLIED, INCLUDING THE WARRANTIES OF MERCHANTABILITY AND FITNESS.

Within the warranty periods listed below, Miller will repair or replace any warranted parts or components that fail due to such defects in material or workmanship. Miller must be notified in writing within thirty (30) days of such defect or failure, at which time Miller will provide instructions on the warranty claim procedures to be followed. If notification is submitted as an online warranty claim, the claim must include a detailed description of the fault and the troubleshooting steps taken to identify failed components and the cause of their failure.

Miller shall honor warranty claims on warranted equipment listed below in the event of such a failure within the warranty time periods. All warranty time periods start on the date the equipment was delivered to the original retail purchaser or one year after the equipment is shipped to a European distributor or twelve months after the equipment is shipped to an International distributor.

1. 5 Years Parts — 3 Years Labor
  - \* Original main power rectifiers only to include SCRs, diodes, and discrete rectifier modules with exclusion of STR, Si, STI, STH and MPi series.
2. 3 Years — Parts and Labor
  - \* Engine Driven Welding Generators  
**(NOTE: Engines are warranted separately by the engine manufacturer.)**
  - \* Inverter Power Sources (Unless Otherwise Stated)
  - \* Process Controllers
  - \* Semi-Automatic and Automatic Wire Feeders
  - \* Transformer/Rectifier Power Sources
3. 2 Years — Parts
  - \* Auto-Darkening Helmet Lenses (No Labor)
  - \* Migmatic 175
  - \* HF Units
4. 1 Year — Parts and Labor Unless Specified
  - \* Automatic Motion Devices
  - \* Field Options  
**(NOTE: Field options are covered under True Blue<sup>®</sup> for the remaining warranty period of the product they are installed in, or for a minimum of one year — whichever is greater.)**
  - \* Induction Heating Power Sources, Coolers, and Electronic Controls/Recorders
  - \* Motor-Driven Guns (w/exception of Spoolmate Spoolguns)
  - \* Positioners and Controllers
  - \* Powered Air Purifying Respirator (PAPR) Blower Unit (No Labor)
  - \* Racks
  - \* Running Gear and Trailers
  - \* Subarc Wire Drive Assemblies
  - \* Water Coolant Systems
  - \* Work Stations/Weld Tables (No Labor)
5. 6 Months — Parts
  - \* Batteries

6. 90 Days — Parts
  - \* Accessory (Kits)
  - \* Canvas Covers
  - \* Induction Heating Coils and Blankets
  - \* MIG Guns
  - \* Remote Controls
  - \* Replacement Parts (No Labor)
  - \* Spoolmate Spoolguns
  - \* Cables and Non-Electronic Controls

Miller's True Blue<sup>®</sup> Limited Warranty shall not apply to:

1. **Consumable components; such as contact tips, cutting nozzles, contactors, brushes, switches, slip rings, relays or parts that fail due to normal wear.**
2. Items furnished by Miller, but manufactured by others, such as engines or trade accessories. These items are covered by the manufacturer's warranty, if any.
3. Equipment that has been modified by any party other than Miller, or equipment that has been improperly installed, improperly operated or misused based upon industry standards, or equipment which has not had reasonable and necessary maintenance, or equipment which has been used for operation outside of the specifications for the equipment.

MILLER PRODUCTS ARE INTENDED FOR PURCHASE AND USE BY COMMERCIAL/INDUSTRIAL USERS AND PERSONS TRAINED AND EXPERIENCED IN THE USE AND MAINTENANCE OF WELDING EQUIPMENT.

In the event of a warranty claim covered by this warranty, the exclusive remedies shall be, at Miller's option: (1) repair; or (2) replacement; or, where authorized in writing by Miller in appropriate cases, (3) the reasonable cost of repair or replacement at an authorized Miller service station; or (4) payment of or credit for the purchase price (less reasonable depreciation based upon actual use) upon return of the goods at customer's risk and expense. Miller's option of repair or replacement will be F.O.B., Factory at ITW Welding Products Group Europe or F.O.B. at a Miller authorized service facility as determined by Miller. Therefore no compensation or reimbursement for transportation costs of any kind will be allowed.

TO THE EXTENT PERMITTED BY LAW, THE REMEDIES PROVIDED HEREIN ARE THE SOLE AND EXCLUSIVE REMEDIES. IN NO EVENT SHALL MILLER BE LIABLE FOR DIRECT, INDIRECT, SPECIAL, INCIDENTAL OR CONSEQUENTIAL DAMAGES (INCLUDING LOSS OF PROFIT), WHETHER BASED ON CONTRACT, TORT OR ANY OTHER LEGAL THEORY.

ANY EXPRESS WARRANTY NOT PROVIDED HEREIN AND ANY IMPLIED WARRANTY, GUARANTY OR REPRESENTATION AS TO PERFORMANCE, AND ANY REMEDY FOR BREACH OF CONTRACT TORT OR ANY OTHER LEGAL THEORY WHICH, BUT FOR THIS PROVISION, MIGHT ARISE BY IMPLICATION, OPERATION OF LAW, CUSTOM OF TRADE OR COURSE OF DEALING, INCLUDING ANY IMPLIED WARRANTY OF MERCHANTABILITY OR FITNESS FOR PARTICULAR PURPOSE, WITH RESPECT TO ANY AND ALL EQUIPMENT FURNISHED BY MILLER IS EXCLUDED AND DISCLAIMED BY MILLER.





# Owner's Record

Please complete and retain with your personal records.

Model Name

Serial/Style Number

Purchase Date

(Date which equipment was delivered to original customer.)

Distributor

Address

Country

Zip/Postal Code



# For Service

**Contact a *DISTRIBUTOR* or *SERVICE AGENCY* near you.**

Always provide Model Name and Serial/Style Number.

Contact your Distributor for:

Welding Supplies and Consumables

Options and Accessories

Service and Repair

Replacement Parts

Owner's Manuals

Contact the Delivering Carrier to:

File a claim for loss or damage during shipment.

For assistance in filing or settling claims, contact your distributor and/or equipment manufacturer's Transportation Department.

**ITW Welding Italy S.r.l.**

Via Privata Iseo, 6/E

20098 San Giuliano

Milanese, Italy

Phone: 39 (0) 2982901

Fax: 39 (0) 298290-203

email: miller@itw-welding.it

