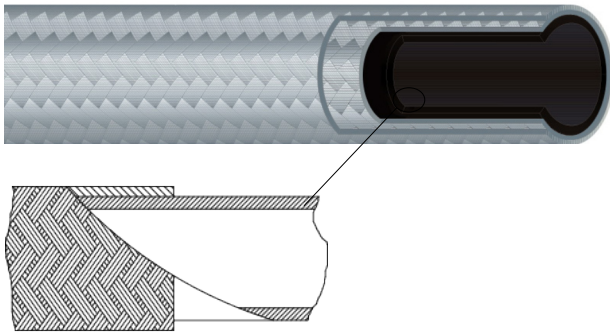


## Double Braided Smooth Bore Anti Static PTFE Hose

PTFE Hose Assemblies

Heavy Wall Gas Quality



### Description

A double braid reinforced, heavy wall smooth bore anti static PTFE hose.

### Applications

The double sintered heavy wall reduces the permeation to an absolute minimum for products with a small molecular structure making this gas hose ideally suited for cylinder charging, breathing apparatus, discharging lines and aerosol charging lines. Other uses include; High pressure Gasand Skydrol applications. Also performs well in food, beverage, petrochemical, chemical, medical and pharmaceutical applications.

### Key Features

- Excellent chemical resistance
- Lowest coefficient of friction of any known solid material
- Excellent temperature range
- Non-toxic - Odourless and flavourless
- Chemically Inert and solvent resistant
- Lightweight
- Very resistant to weathering and ageing

### Construction

- Liner
- Black, anti static PTFE
- Reinforcement
- Braid acts as reinforcement
- Cover
- Single layer of AISI304 stainless steel braid

### Standards & Specifications

BSEN ISO9001:2008, FDA 21 CFR178.3287, 3A Sanitary Standards, SAEJ1737, EN10204, EN45014, ATEX Directive 94/9/EC

### Temperature Range

-60°C to +260°C

Specification							
Size	ID (mm)	OD (mm)	Wall (mm)	Bend Radius (mm)	WP (bar)	BP (bar)	Weight (kg/m)
1/4"	6.45	11.23	1.2	65	350	1100	0.16
3/8"	9.93	14.72	1.2	100	350	1100	0.27
1/2"	13.06	18.71	1.2	120	350	1100	0.36
5/8"	16.10	22.16	1.2	160	350	1100	0.48
3/4"	19.30	29.27	1.4	200	350	1100	0.98
1"	25.60	36.33	1.4	250	350	1100	1.52