

WELDCRAFT®

WP-24

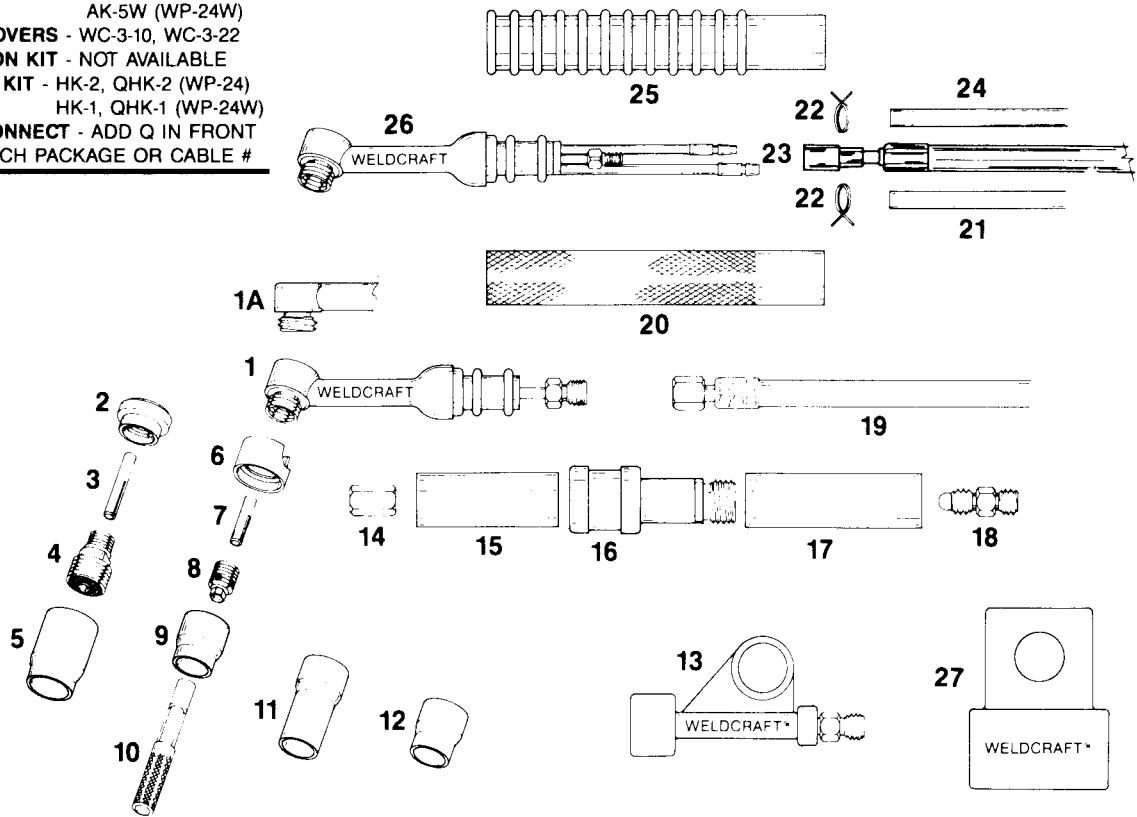
80 AMPS • AIR COOLED

WP-24W

180 AMPS • WATER COOLED

REPLACEMENT PARTS

ACCESSORY KIT - AK-5 (WP-24)
AK-5W (WP-24W)
CABLE COVERS - WC-3-10, WC-3-22
EXTENSION KIT - NOT AVAILABLE
HOOK-UP KIT - HK-2, QHK-2 (WP-24)
HK-1, QHK-1 (WP-24W)
QUICK CONNECT - ADD Q IN FRONT
OF TORCH PACKAGE OR CABLE #



ITEM NO.	STOCK NO.	DESCRIPTION	ITEM NO.	STOCK NO.	DESCRIPTION
1	WP-24	Torch body, includes cup gasket (60°)	18	24-5	Adapter
1A	WP-24N	Torch body same as WP-24, with 90° head	19	-	Power cable (WP-24) 56Y38 12½ ft. (3.8m) vinyl 56Y97 25 ft. (7.6m) vinyl 56Y38R 12½ ft. (3.8m) rubber 56Y97R 25 ft. (7.6m) rubber
2	53N66	Gas lens insulator	20	H-100	Handle (smooth, standard)
3	-	Gas lens collet (See chart A)	21	-	Water hose (WP-24W) 45V07 12½ ft. (3.8m) 45V08 25 ft. (7.6m)
4	-	Gas lens (See chart A)	22	53N04	Hose clamp
5	-	Alumina gas lens nozzle (See chart B)	23	-	Power cable (WP-24W) 45V03 12½ ft. (3.8m) 45V04 25 ft. (7.6m)
6	53N22	Cup gasket	24	-	Gas hose (WP-24W) 45V09 12½ ft. (3.8m) 45V10 25 ft. (7.6m)
7	-	Collet (See chart A)	25	H-100R	Handle (ribbed, optional)
8	-	Collet body (See chart A)	26	WP-24W	Torch body, includes cup gasket (70°)
9	-	Lava nozzle (See chart B)	27	45V11	Power cable adapter (WP-24W)
10	53N20	Collet body wrench			
11	-	Long lava nozzle (See chart B)			
12	-	Alumina nozzle (See chart B)			
13	53N43	Power cable adapter (WP-24)			
14	24-4	Coupler			
15	V-92-1	Front handle			
16	V-92-2	Valve body			Not Sold Separately
17	V-92-3	Rear handle			
	V-92	Valve assy. Includes items 15, 16, 17			

CHART A • COLLETS • COLLET BODIES • GAS LENS

Electrode Diameter	.020 (.5mm)	.040 (1.0mm)	1/16 (1.6mm)	3/32 (2.4mm)
Collet	53N15	53N16	53N14	24C332
Collet Body	53N17	53N18	53N19	24CB332
Gas Lens Collet	53N62	53N63	53N64	24GLC332
Gas Lens	45V41	45V42	45V43	45V44

CHART B • GAS NOZZLES • HPN - HIGH PERFORMANCE NOZZLES AVAILABLE

SIZE	.165	4	5	6	7	8
Alumina	-	A53N24	A53N25	A53N27	-	-
Lava	53N23	53N24	53N25	53N27	-	-
Long Lava	-	53N28	-	53N26	-	-
Alumina Gas Lens	-	53N58	53N59	53N60	53N61	53N61S

Water cooled torches require cooling water flow of 1 quart (.94 liter) to 1½ quarts (1.4 liters) per minute at a maximum of 50 PSI pressure.