



**TRANSLAS** <sup>®</sup>  
DUTCH TORCH TECHNOLOGY

2020 CATALOGUE

# EXTRACTION

NO FUMES, ONLY CLEAN AIR



## ABOUT TRANSLAS

Translas is a Dutch manufacturer of welding guns since 1960. A company founded by welders, for welders with a passion for innovation and new technologies, continually strives to engineer innovative products that boast a distinctive design, quality, and functionality.


Welder's safety is of paramount importance to Translas. The company's goal is to globally reduce welders' exposure to hazardous fumes and provide a healthier and safer work environment. Some of the pioneering products include extractor guns with a built-in module to safely extract welding fumes at the source and portable extraction units for high-performance extraction.

[www.translas.com](http://www.translas.com)

# TABLE OF CONTENT

SAFE & EFFECTIVE EXTRACTION OF WELDING FUMES AT THE SOURCE

<b>ABOUT TRANSLAS</b>	<b>2</b>
<b>ABOUT WELDING FUMES</b>	<b>4</b>
<b>8XE MIG EXTRACTOR</b>	<b>5</b>
<b>7XE MIG EXTRACTOR</b>	<b>19</b>
<b>8TE TIG EXTRACTOR</b>	<b>23</b>
<b>CLEARO2</b>	<b>45</b>



## About Welding Fumes:

Welding fumes contain vapours, a mixture of airborne gas by-products and fine particles. The composition of the mixture depends on the welding method and the products that are welded. The vapours and gases released during welding can lead to serious health problems. Short-term exposure can result in nausea, dizziness, or eye, nose, and throat irritation.

Prolonged exposure is like inhaling ultrafine metal dust which can lead to cancer of the lung, damage to the brain, and kidney damage. Certain gases, such as helium, carbon dioxide, and argon, displace oxygen and argon specifically poses suffocation risks, particularly in enclosed work areas. For this reason, Translas, a Dutch welding torch manufacturer, developed fume welding torches – 7XE, 8XE MIG, and 8TE TIG Extractors – that extract the welding fumes directly at the source up to 98%.

# CLEAN AIR

- ✓ **SOURCE EXTRACTION & FILTRATION**
- ✓ **ENGINEERED FOR THE WELDING PROCESS**
- ✓ **COMPLETE RANGE FOR YOUR PLANT/SHOP**
- ✓ **HIGH QUALITY, TESTED EQUIPMENT**
- ✓ **USER FRIENDLY UNITS, READY TO USE**



**TRANSLAS** <sup>®</sup>  
DUTCH TORCH TECHNOLOGY

8XE MIG EXTRACTOR

**EXTRACTION**

**NO FUMES, ONLY CLEAN AIR**





## 8XE MIG EXTRACTOR



**MIG**  
EXTRACTOR

# CLEAN AIR



## 8XE MIG EXTRACTOR

**SAFE & EFFECTIVE EXTRACTION OF WELDING FUMES DIRECTLY AT THE SOURCE.**

The 8XE MIG Extractor integrates the most efficient fume extraction structure in the welding industry. The torch comes with three different angles, 30°, 45° and straight. The 8XE MIG Extractor, combined with the ClearO2 W-series 100 and 200, captures up to 98% of welding fumes directly at the source. The 8XE MIG Extractor provides the safest and most effective solution for welders and workers to breathe CLEAN AIR and better work environments.

CLEAN AIR

## SOURCE EXTRACTION



## THE ROBUST CONNECTION BETWEEN SWANNECK & METAL NECK.

The new nozzle holder provides a robust connection between Swanneck and Metal Neck. It is designed to take the biggest blows in any industrial environment.



## UNIQUE NOZZLE-DESIGN FOR OPTIMAL PERFORMANCE AND DURABILITY.

The nozzle design is unique to provide the best results. Openings, wall thickness and grip ribs are thoroughly developed for optimal operation and best performance.



# 8XE MIG EXTRACTOR

# MIG EXTRACTOR

- ✓ UNIQUE CONTACT TIP FOR MANUAL FITTING AND DURABILITY
- ✓ VARIOUS GAS NOZZLES FOR BEST PERFORMANCE
- ✓ SPECIAL DESIGN CONTACT TIP FOR LONGER LIFETIME
- ✓ DESIGNED FOR ENLARGED ANGULAR MOVEMENT
- ✓ MADE FROM VERY STRONG DSM PLASTIC
- ✓ THE SWANNECK IS SECURED IN TWO PLACES
- ✓ RESULTS MEASURED BY DUTCH RESEARCH INSTITUTE (TNO) IN "WORST CASE ROOM"



- ✓ PATENTED
- ✓ LIGHT-WEIGHT
- ✓ ROBUST

**Reduces  
Welding Fumes  
Up To 98%**



**Lowest  
Under-Pressure  
in the Market**

### ERGONOMIC BALL SOCKET: 30° ANGLE AND 360° ROTATABLE.

8XE ball joint has a 30° vertical angular movement combined with 360° swivelling. Both with a full stop. Providing excellent maneuverability and leaving cables and hoses untwisted and thereby leakage and breakage free. This combination is new to the market. It offers excellent maneuverability, maximizing comfort and minimizing fatigue.

**Swanneck and Power/Water cable  
in Cooperation with DINSE GmbH**



# EXTRACTION







# 8XE MIG EXTRACTOR LINE

**MIG**  
EXTRACTOR



**250**  
**MINI**  
**AIR COOLED**

8XE MIG EXTRACTOR

CO2 - 280 AMP  
Mixed Gases - 250 AMP  
Duty Cycle - 100%



**300**  
**AIR COOLED**

8XE MIG EXTRACTOR

CO2 - 320 AMP  
Mixed Gases - 300 AMP  
Duty Cycle - 100%



**500**  
**WATER COOLED**

8XE MIG EXTRACTOR

CO2 - 550 AMP  
Mixed Gases - 500 AMP  
Duty Cycle - 100%

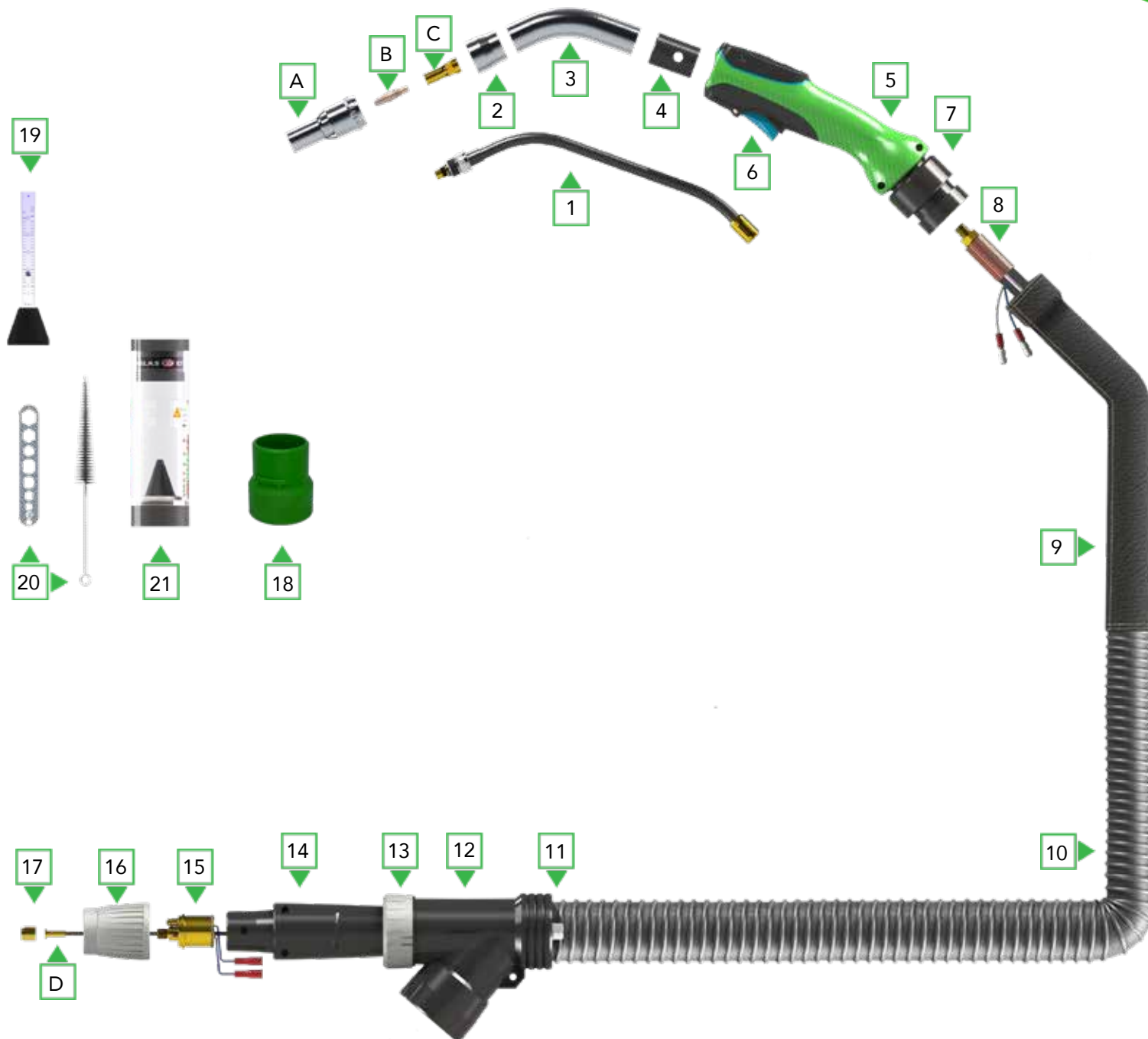
**EXTRACTION**



# 8XE MINI MIG EXTRACTOR

CO2 - 280 AMP, MIXED GASES - 250 AMP, DUTY CYCLE - 100%

**MIG**  
EXTRACTOR



AIR COOLED

CLEAN AIR

ITEM	PART NO.	DESCRIPTION	PACK QTY
<b>COMPLETE TORCHES</b>			
	8XE1000301000	8XE MINI Extractor 3mtr gas cooled - 45° (standard)	1
	8XE1000401000	8XE MINI Extractor 4mtr gas cooled - 45° (standard)	1
	8XE1000501000	8XE MINI Extractor 5mtr gas cooled - 45° (standard)	1
	8XE1100301000	8XE MINI Extractor 3mtr gas cooled - 30°	1
	8XE1100401000	8XE MINI Extractor 4mtr gas cooled - 30°	1
	8XE1100501000	8XE MINI Extractor 5mtr gas cooled - 30°	1

ITEM	PART NO.	DESCRIPTION	PACK QTY	
<b>CONSUMABLES</b>				
A	3937000	Nozzle conical 12mm	5	
	3937001	Nozzle conical 14mm special	5	
	3937002	Nozzle conical 14mm	5	
B	390081	Contact tip 8XE - 0,8	25	
	390101	Contact tip 8XE - 1,0	25	
	390103	Contact tip 8XE - 1,0 CuCrZr	25	
	390105	Contact tip 8XE - 1,0 Alu	25	
	390121	Contact tip 8XE - 1,2	25	
	390123	Contact tip 8XE - 1,2 CuCrZr	25	
	390125	Contact tip 8XE - 1,2 Alu	25	
C	39320100	Tip adaptor	10	
D	301535	STEEL	Plastic coated liner blue (1,5/4,5) 3mtr - for 0,8mm steel wire	1
	301545		Plastic coated liner blue (1,5/4,5) 4mtr - for 0,8mm steel wire	1
	301555		Plastic coated liner blue (1,5/4,5) 5mtr - for 0,8mm steel wire	1
	302535		Plastic coated liner red (2,0/4,5) 3mtr - for 1,0/1,2mm steel wire	1
	302545		Plastic coated liner red (2,0/4,5) 4mtr - for 1,0/1,2mm steel wire	1
	302555	Plastic coated liner red (2,0/4,5) 5mtr - for 1,0/1,2mm steel wire	1	
	301538	ALUMINIUM	Teflon liner blue (1.5/4.0) 3mtr - for 0,8mm aluminium wire	1
	301548		Teflon liner blue (1.5/4.0) 4mtr - for 0,8mm aluminium wire	1
	301558		Teflon liner blue (1.5/4.0) 5mtr - for 0,8mm aluminium wire	1
	302538		Teflon liner red (2.0/4.0) 3mtr - for 1,0-1,2mm aluminium wire	1
	302548		Teflon liner red (2.0/4.0) 4mtr - for 1,0-1,2mm aluminium wire	1
	302558		Teflon liner red (2.0/4.0) 5mtr - for 1,0-1,2mm aluminium wire	1



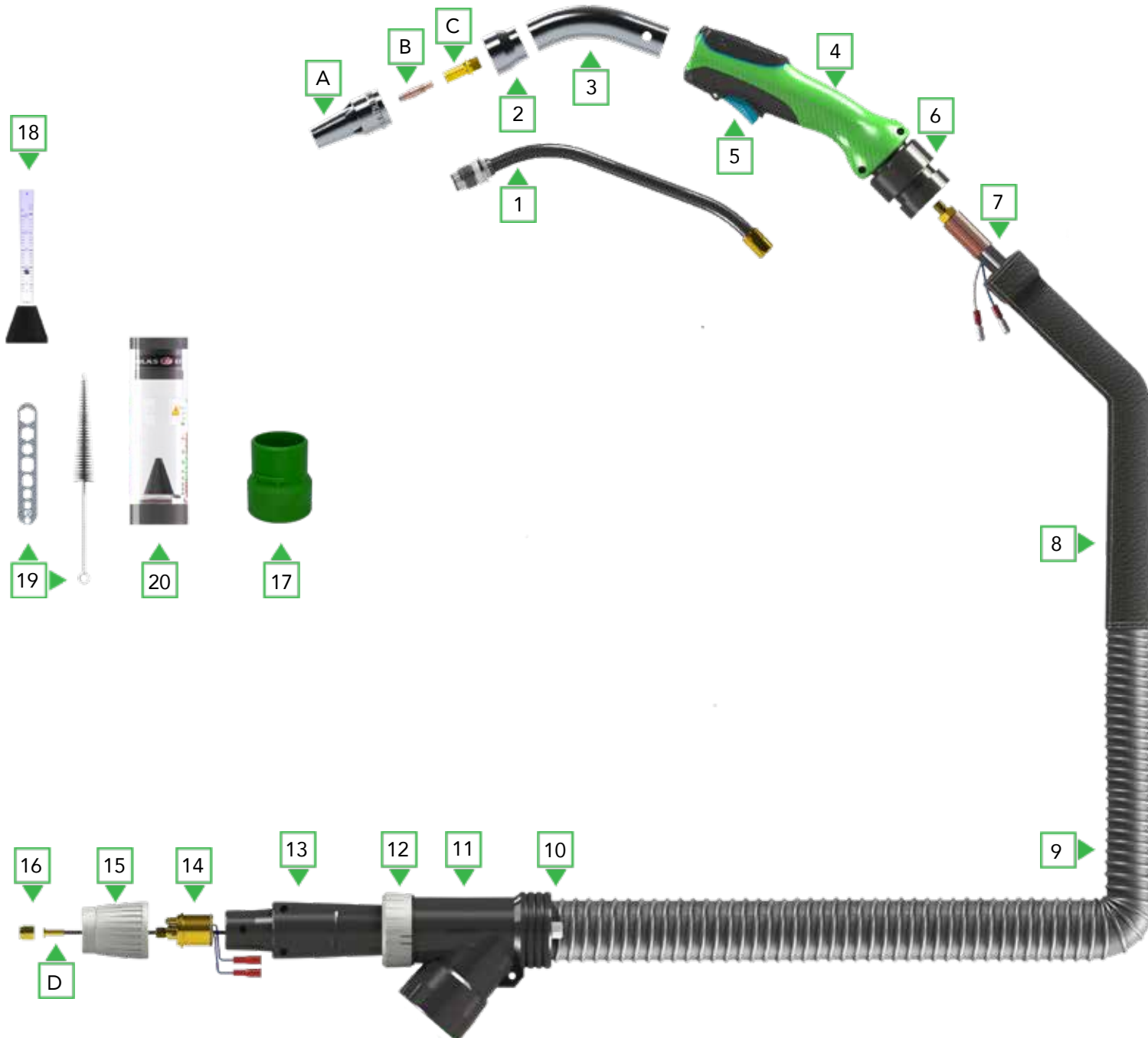
ITEM	PART NO.	DESCRIPTION	PACK QTY
<b>SPARE PARTS</b>			
1	39301045	Swanneck 45°	1
	39301030	Swanneck 30°	1
	3950005	PEEK ring to fix nozzle holder (not shown)	5
	305879	O-ring (not shown)	10
2	3950000	Nozzle holder	1
3	3950045	Metal neck 45°	1
	3950046	Metal neck 30°	1
4	3950500	Adapter to fit MINI neck	1
5	391000	Handle green/black complete with trigger	1
6	391200	Trigger	1
	391245	Spring for trigger (not shown)	5
	391250	Micro switch complete (not shown)	1
7	381900	Cable support set with ball-and-socket joint	1
8	259263X8	Cable assembly 3mtr	1
	259264X8	Cable assembly 4mtr	1
	259265X8	Cable assembly 5mtr	1
9	260019	Leather-sheathing with Velcro 2mtr	1
10	340303	Fume extraction hose 30-38mm 3mtr	1
	340304	Fume extraction hose 30-38mm 4mtr	1
	340305	Fume extraction hose 30-38mm 5mtr	1
11	398031	Hose connection	1
12	398100	Housing (Y-shape) for fume extraction hose	1
13	398015	Connection ring	1
14	398010	Housing set for central connector	1
15	305298E	Central connector Euro	1
16	8M9420	Adaptor nut	2
17	305315	Liner positioner nut	10
18	398110	Hose adapter	1
19	406050	Gasflow meter	1
20	371208	Tool set (brush and multitool)	1
21	371350	Airflow meter MINI Extractor	1
-	320300	Ceramic dry film spray 400 ml (not shown)	12



# 8XE MIG EXTRACTOR

CO2 - 320 AMP, MIXED GASES - 300 AMP, DUTY CYCLE - 100%

**MIG**  
EXTRACTOR



AIR COOLED

CLEAN AIR



ITEM	PART NO.	DESCRIPTION	PACK QTY
<b>COMPLETE TORCHES</b>			
	8XE3020301000	8XE Extractor 3mtr gas cooled - 45° (standard)	1
	8XE3020401000	8XE Extractor 4mtr gas cooled - 45° (standard)	1
	8XE3020501000	8XE Extractor 5mtr gas cooled - 45° (standard)	1
	8XE3120301000	8XE Extractor 3mtr gas cooled - 30°	1
	8XE3120401000	8XE Extractor 4mtr gas cooled - 30°	1
	8XE3120501000	8XE Extractor 5mtr gas cooled - 30°	1

ITEM	PART NO.	DESCRIPTION	PACK QTY
<b>CONSUMABLES</b>			
A	3937041	Nozzle conical 14mm special	5
	3937045	Nozzle conical 17mm special	1
B	390101	Contact tip 8XE - 1,0	25
	390103	Contact tip 8XE - 1,0 CuCrZr	25
	390105	Contact tip 8XE - 1,0 Alu	25
	390121	Contact tip 8XE - 1,2	25
	390123	Contact tip 8XE - 1,2 CuCrZr	25
	390125	Contact tip 8XE - 1,2 Alu	25
	390161	Contact tip 8XE - 1,6	25
	390163	Contact tip 8XE - 1,6 CuCrZr	25
C	39320200	Tip adaptor	10
D	302535	Plastic coated liner red (2,0/4,5) 3mtr - for 1,0/1,2mm steel wire	1
	302545	Plastic coated liner red (2,0/4,5) 4mtr - for 1,0/1,2mm steel wire	1
	302555	Plastic coated liner red (2,0/4,5) 5mtr - for 1,0/1,2mm steel wire	1
	303635	Plastic coated liner yellow (2,5/4,5) 3mtr - for 1,6mm steel wire	1
	303645	Plastic coated liner yellow (2,5/4,5) 4mtr - for 1,6mm steel wire	1
	303655	Plastic coated liner yellow (2,5/4,5) 5mtr - for 1,6mm steel wire	1
	302538	Teflon red (2,0/4,0) 3mtr - for 1,0-1,2mm aluminium wire	1
	302548	Teflon red (2,0/4,0) 4mtr - for 1,0-1,2mm aluminium wire	1
	302558	Teflon red (2,0/4,0) 5mtr - for 1,0-1,2mm aluminium wire	1
	303638	Teflon yellow (2,7/4,7) 3mtr - for 1,6mm aluminium wire	1
	303648	Teflon yellow (2,7/4,7) 4mtr - for 1,6mm aluminium wire	1
	303658	Teflon yellow (2,7/4,7) 5mtr - for 1,6mm aluminium wire	1
	304830	Graphite liner black (2,0/4,0) 3mtr combiliner - for 1,0/1,2mm	1
	304831	Graphite liner black (2,0/4,0) 4mtr combiliner - for 1,0/1,2mm	1
	304832	Graphite liner black (2,0/4,0) 5mtr combiliner - for 1,0/1,2mm	1
	3048351	Graphite liner black (2,3/4,7) 3mtr combiliner - for 1,6mm	1
	3048361	Graphite liner black (2,3/4,7) 4mtr combiliner - for 1,6mm	1
	3048371	Graphite liner black (2,3/4,7) 5mtr combiliner - for 1,6mm	1



ITEM	PART NO.	DESCRIPTION	PACK QTY
<b>SPARE PARTS</b>			
1	39302045	Swanneck 45°	1
	39302030	Swanneck 30°	1
	3950205	PEEK ring to fix nozzle holder (not shown)	5
	20071610	O-ring (not shown)	10
2	3950200	Nozzle holder	1
3	3950245	Metal neck 45°	1
	3950246	Metal neck 30°	1
4	391000	Handle green/black complete with trigger	1
5	391200	Trigger	1
	391245	Spring for trigger (not shown)	5
	391250	Micro switch complete (not shown)	1
6	381920	Cable support set with ball-and-socket joint	1
7	259363X8	Cable assembly 3mtr	1
	259364X8	Cable assembly 4mtr	1
	259365X8	Cable assembly 5mtr	1
8	260018	Leather-sheathing with Velcro 2mtr	1
9	3402032	Fume extraction hose 36-44mm 3mtr	1
	3402042	Fume extraction hose 36-44mm 4mtr	1
	3402052	Fume extraction hose 36-44mm 5mtr	1
10	398030	Hose connection	1
11	398100	Housing (Y-shape) for fume extraction hose	1
12	398015	Connection ring	1
13	398010	Housing set for central connector	1
14	305298E	Central connector Euro	1
15	8M9420	Adaptor nut	2
16	305315	Liner positioner nut	10
17	398110	Hose adapter	1
18	406050	Gasflow meter	1
19	371208	Tool set (brush and multitool)	1
20	371300	Airflow meter Extractor	1
-	320300	Ceramic dry film spray 400 ml (not shown)	12



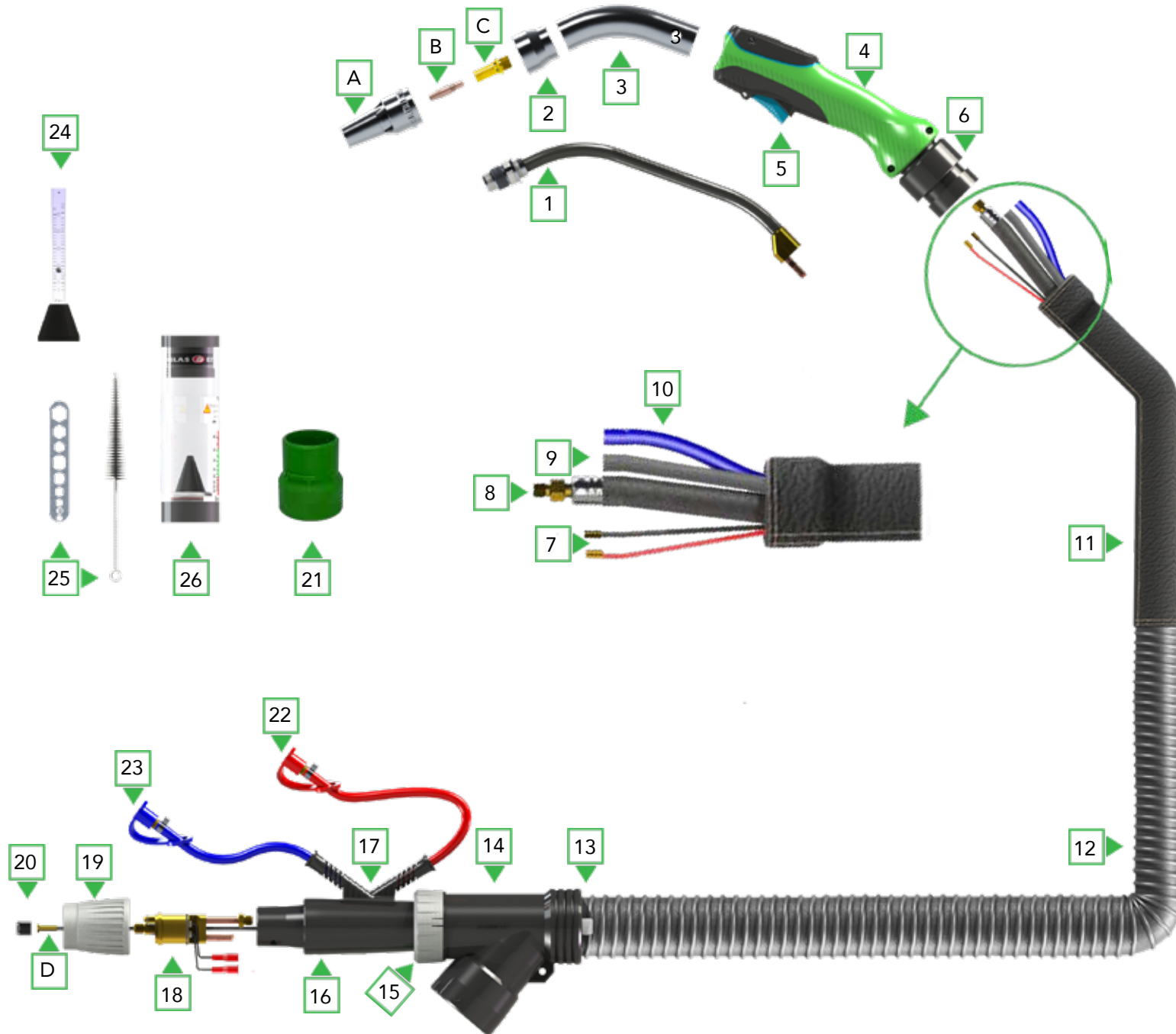
# 8XE MIG EXTRACTOR

CO2 - 500 AMP, MIXED GASES - 500 AMP, DUTY CYCLE - 100%

**MIG**  
EXTRACTOR

WATER COOLED

CLEAN AIR



ITEM	PART NO.	DESCRIPTION	PACK QTY
<b>COMPLETE TORCHES</b>			
	8XE5060301000	8XE Extractor 3mtr water cooled - 45° (standard)	1
	8XE5060401000	8XE Extractor 4mtr water cooled - 45° (standard)	1
	8XE5060501000	8XE Extractor 5mtr water cooled - 45° (standard)	1
	8XE5160301000	8XE Extractor 3mtr water cooled - 30°	1
	8XE5160401000	8XE Extractor 4mtr water cooled - 30°	1
	8XE5160501000	8XE Extractor 5mtr water cooled - 30°	1

ITEM	PART NO.	DESCRIPTION	PACK QTY
<b>CONSUMABLES</b>			
A	3937041	Nozzle conical 14mm special	5
	3937045	Nozzle conical 17mm special	1
B	390101	Contact tip 8XE - 1,0	25
	390103	Contact tip 8XE - 1,0 CuCrZr	25
	390105	Contact tip 8XE - 1,0 Alu	25
	390121	Contact tip 8XE - 1,2	25
	390123	Contact tip 8XE - 1,2 CuCrZr	25
	390125	Contact tip 8XE - 1,2 Alu	25
	390161	Contact tip 8XE - 1,6	25
	390163	Contact tip 8XE - 1,6 CuCrZr	25
C	39320200	Tip adaptor	10
D	302535	Plastic coated liner red (2,0/4,5) 3mtr - for 1,0/1,2mm steel wire	1
	302545		1
	302555		1
	303635	Plastic coated liner yellow (2,5/4,5) 3mtr - for 1,6mm steel wire	1
	303645		1
	303655		1
	302538	Teflon red (2.0/4.0) 3mtr - for 1,0-1,2mm aluminium wire	1
	302548		1
	302558		1
	303638	Teflon yellow (2.7/4.7) 3mtr - for 1,6mm aluminium wire	1
	30364		1
	303658		1
	304830	Graphite liner black (2,0/4,0) 3mtr combiliner - for 1,0/1,2mm	1
	304831		1
	304832		1
	3048351	Graphite liner black (2,3/4,7) 3mtr combiliner - for 1,6mm	1
	3048361		1
	3048371		1



ITEM	PART NO.	DESCRIPTION	PACK QTY
<b>SPARE PARTS</b>			
1	39303045	Swanneck 45°	1
	39303030	Swanneck 30°	1
	3950205	PEEK ring to fix nozzle holder (not shown)	5
	20071610	O-ring (not shown)	10
2	3950200	Nozzle holder	1
3	3950245	Metal neck 45°	1
	3950246	Metal neck 30°	1
4	391000	Handle green/black complete with trigger	1
5	391200	Trigger	1
	391245	Spring for trigger (not shown)	5
	391250	Micro switch complete (not shown)	1
6	381920	Cable support set with ball-and-socket joint	1
7	306505	Switch cable 1x0,75mm <sup>2</sup> per mtr	100
8	258513X8	Power/water cable 3mtr	1
	258514X8	Power/water cable 4mtr	1
	258515X8	Power/water cable 5mtr	1
9	2585313XE	Outer liner 3mtr	1
	2585314XE	Outer liner 4mtr	1
	2585315XE	Outer liner 5mtr	1
10	258535	Water inlet hose 5x8mm blue per mtr	100
	258566	Water outlet hose 5x8mm red per mtr	100
11	260018	Leather-sheathing with Velcro 2mtr	1
12	3402032	Fume extraction hose 36-44mm 3mtr	1
	3402042	Fume extraction hose 36-44mm 4mtr	1
	3402052	Fume extraction hose 36-44mm 5mtr	1
13	398030	Hose connection	1
14	398100	Housing (Y-shape) for fume extraction hose	1
15	398015	Connection ring	1
16	398010	Housing set for central connector	1
17	350881	Water hose guide	1
18	305304E2	Central connector Euro	1
19	8M9420	Adaptor nut	2
20	305315	Liner positioner nut	10
21	398110	Hose adapter	1
22	258701	Waterstop red	10
23	258702	Waterstop blue	10
24	406050	Gasflow meter	1
25	371208	Tool set (brush and multitool)	1
26	371300	Airflow meter Extractor	1
-	320300	Ceramic dry film spray 400 ml (not shown)	12

EXTRACTION

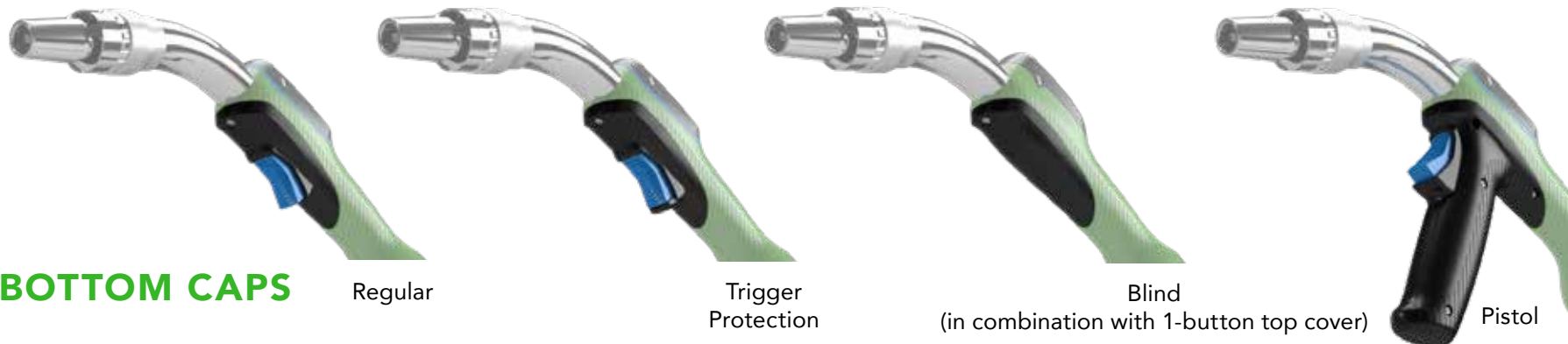


# 8XE MIG EXTRACTOR

CONSUMABLES TO FIT YOUR SPECIFIC WELDING APPLICATION

# MIG EXTRACTOR

The purpose of the bottom caps on 8XE MIG Extractor is to provide a solid welding platform. The bottom caps are available for 8XE MIG Extractor 30°, 45°, and straight version



## BOTTOM CAPS

Regular

Trigger Protection

Blind  
(in combination with 1-button top cover)

Pistol

## CONTACT TIPS



The special contact tips for the complete 8XE MIG Extractor series are designed for a longer lifetime. The new design can be placed and removed manually without using any tools.

You can choose from:

- Standard copper for everyday welding.
- Available in sizes from 0.8mm - 2.4mm.
- Special tips for aluminum welding.

## NOZZLE OPTIONS

There are different nozzle variations to suit any kind of joint application and deliver best welding results. The nozzles can be changed in a second.

### MINI EXTRACTOR

12mm

The nozzle offers slightly more comprehensive shielding gas coverage on medium-thickness materials in butt and fillet applications, and outside-corner joints.



12MM

### 8XE REGULER / MINI

14mm-Special

Where space is limited and fit is tight, this nozzle offers better access and more excellent shielding gas coverage to prevent porosity. This 14mm special nozzle is delivered as a standard on every extractor torch.



SPECIAL  
14MM

### 8XE REGULER

17mm-Special

For heavier-thickness, high-current and high-deposition butt and lap joint applications, this nozzle offers more excellent shielding gas coverage to prevent porosity.



SPECIAL  
17MM

CLEAN AIR





# 8XE MIG EXTRACTOR

CONSUMABLES TO FIT YOUR SPECIFIC WELDING APPLICATION

# MIG EXTRACTOR

## TOP COVER MODULES



Standard

Pressure Relief

One Button

Up / Down

Potential Meter

(Special request depending on welding machine)

## LINERS

Choose the right liner for your wire diameter and type when working with a 8XE Extractor Torch:

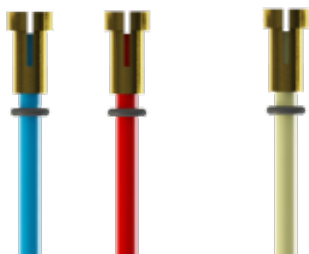
 **Blue:** (1.5/4.5) from 3mtr to 5mtr

 **Red:** (2.0/4.5) from 3mtr to 5mtr

 **Yellow:** (2.5/4.5) from 3mtr to 5mtr

All liner types are suitable for stainless steel applications. For Aluminium application, there are the following types:

**Blue , Red and Yellow in Teflon.**



## WIRE FEED CONNECTORS

### EURO CONNECTOR

There are wire feed connectors available to fit any type of machine. Due to the design of the backend housing, you can switch between the connector types with ease.



## MAINTENANCE

### AIRFLOW METER

Always use the Airflow meter to ensure maximum extraction effect.

### GAS METER

The gas meter is used for best weld quality by keeping the right amount of shielding gas around the weld seam.

### CERAMIC SPRAY

Prolong the life of your gun and all spare parts by applying the ceramic spray to the 8XE Extractor before work.



# EXTRACTION



**TRANSLAS** <sup>®</sup>  
DUTCH TORCH TECHNOLOGY

7XE MIG EXTRACTOR

**EXTRACTION**

NO FUMES, ONLY CLEAN AIR





# 7XE MIG EXTRACTOR



**MIG**  
EXTRACTOR



## WHY THE 7XE EXTRACTOR TORCH

### **The safest and most effective method: extraction at the source**

Extraction at the source proves to be the safest and most effective solution to achieve better work environments for welders. Translas developed a fume extraction solution – **7XE MIG Extractor** with a mobile filtration unit “**ClearO2**”. The **7XE MIG Extractor** solution extracts up to 95% of the welding fumes directly at the source. When using the Translas **7XE MIG Extractor** in combination with **ClearO2**, the harmful welding fumes and individual particulates are no longer released directly into the air; they are captured immediately as generated. This system reduces the amount of welding fumes and particulates in the workplace to less than 1 mg/m<sup>3</sup> during an 8-hour

CLEAN AIR



### **ERGONOMIC & COMFORTABLE**

The small ergonomic handle makes the 7XE MIG EXTRACTOR one of the most comfortable torch to work with for any welder.

### **FLEXIBLE & MANEUVERABLE**

A ball and socket joint between the torch handle and the hoses offers flexibility and maneuverability

### **CONICAL GAS NOZZLES**

The conical gas nozzles provide better visibility and accessibility. The nozzles come in either 12mm or 14mm diameters.







# 7XE MIG EXTRACTOR

**MIG**  
EXTRACTOR

**100%**  
Duty Cycle

Capture Up To  
**95%**

- ✓ GAS NOZZLE WITH EXTRACTION
- ✓ CONICAL EXTRACTION HOSE
- ✓ FLEXIBLE AND MANEUVERABLE
- ✓ ERGONOMIC DESIGN
- ✓ LIGHT-WEIGHT



## SOURCE EXTRACTION

### 7XE MIG MINI EXTRACTOR 250 AMP

**7XE MIG MINI Extractor** is the lightest fume extraction torch on the market. It weighs only 1 kg and has a small handle, nozzle and small conical hose (from 30mm to 40mm). The 7XE MINI Extractor was developed for welding jobs where constant changing in positions is required, such as in manual automotive welding. The constant change in angles and positions results in unwanted tension on the wrist and possible chronic pain. With the 7XE MINI Extractor torch the tension is minimal.



### 7XE MIG EXTRACTOR

**The 7XE MIG Extractor** is the standard execution of our fume extraction line. It is light – only 1.5 kg – but high in power with 100% duty cycle for heavy duty work.

**The 7XE MIG Extractor** is intended for use in MIG welding processes that employ shielding gases. Due to its unique patented gas nozzle, the 7XE Extractor is able to reach an optimal fume capture up to 95% directly at the source.

**EXTRACTION**





# 7XE MIG EXTRACTOR LINE

**MIG**  
EXTRACTOR



**250**  
**MINI**  
**AIR COOLED**

7XE MIG EXTRACTOR

CO2 - 280 AMP  
Mixed Gases - 250 AMP  
Duty Cycle - 100%



**300**  
**AIR COOLED**

7XE MIG EXTRACTOR

CO2 - 320 AMP  
Mixed Gases - 300 AMP  
Duty Cycle - 100%



**500**  
**WATER COOLED**

7XE MIG EXTRACTOR

CO2 - 550 AMP  
Mixed Gases - 500 AMP  
Duty Cycle - 100%

**EXTRACTION**





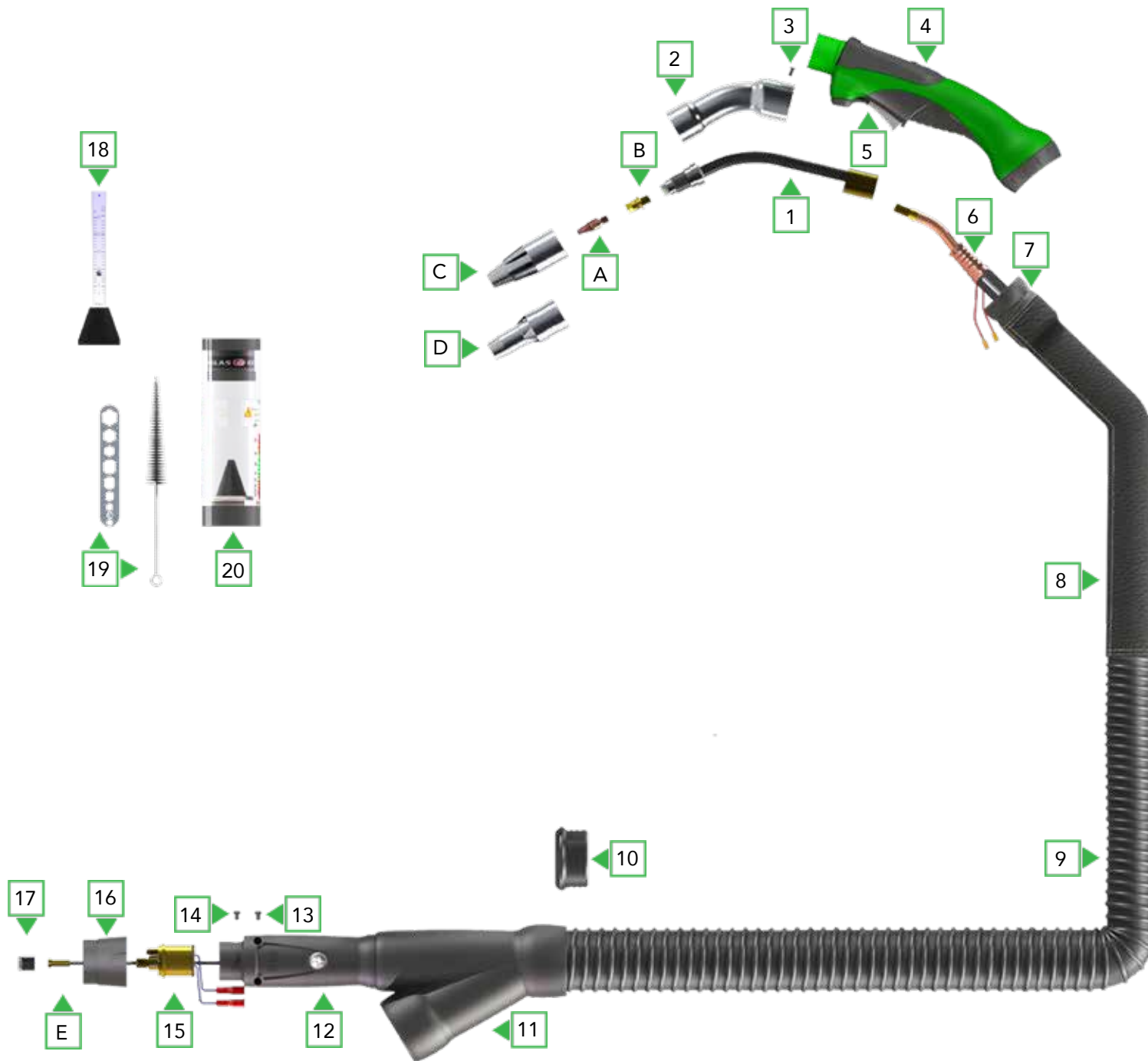
# 7XE MIG MINI EXTRACTOR

CO2 - 280 AMP, MIXED GASES - 250 AMP, DUTY CYCLE - 100%

# MIG EXTRACTOR

AIR COOLED

# CLEAN AIR



ITEM	PART NO.	DESCRIPTION	PACK QTY
<b>COMPLETE TORCHES</b>			
	7X02625010300	7XE MINI Extractor 3mtr gas cooled	1
	7X02625010400	7XE MINI Extractor 4mtr gas cooled	1
	7X02625010500	7XE MINI Extractor 5mtr gas cooled	1



ITEM	PART NO.	DESCRIPTION	PACK QTY	
<b>CONSUMABLES</b>				
A	140008	Contact tip M7-0,8	25	
	140010	Contact tip M7-1,0	25	
	1400101	Contact tip M7-1,0 CuCrZr	25	
	1400102	Contact tip M7-1,0 Alu	25	
	140012	Contact tip M7-1,2	25	
	1400121	Contact tip M7-1,2 CuCrZr	25	
	1400122	Contact tip M7-1,2 Alu	25	
B	1534584	Tip adaptor M7	10	
C	24071488	Nozzle conical 12mm	5	
	24071489	Nozzle conical 14mm	5	
D	24071485	Nozzle conical 12mm special	5	
	24071487	Nozzle conical 14mm special	5	
E	301535	STEEL	Plastic coated liner blue (1,5/4,5) 3mtr - for 0,8mm steel wire	1
	301545		Plastic coated liner blue (1,5/4,5) 4mtr - for 0,8mm steel wire	1
	301555		Plastic coated liner blue (1,5/4,5) 5mtr - for 0,8mm steel wire	1
	302535		Plastic coated liner red (2,0/4,5) 3mtr - for 1,0/1,2mm steel wire	1
	302545		Plastic coated liner red (2,0/4,5) 4mtr - for 1,0/1,2mm steel wire	1
	302555	Plastic coated liner red (2,0/4,5) 5mtr - for 1,0/1,2mm steel wire	1	
	301538	ALUMINIUM	Teflon liner blue (1.5/4.0) 3mtr - for 0,8mm aluminium wire	1
	301548		Teflon liner blue (1.5/4.0) 4mtr - for 0,8mm aluminium wire	1
	301558		Teflon liner blue (1.5/4.0) 5mtr - for 0,8mm aluminium wire	1
	302538		Teflon liner red (2.0/4.0) 3mtr - for 1,0-1,2mm aluminium wire	1
	302548		Teflon liner red (2.0/4.0) 4mtr - for 1,0-1,2mm aluminium wire	1
	302558		Teflon liner red (2.0/4.0) 5mtr - for 1,0-1,2mm aluminium wire	1

ITEM	PART NO.	DESCRIPTION	PACK QTY
<b>SPARE PARTS</b>			
1	3407025	Swanneck	1
2	366190	Metal neck	1
3	501155	Screw for metal neck	25
4	360624	Handle green/black complete with trigger	1
5	361178	Trigger	1
	361190	Spring for switch (not shown)	5
	361205	Micro switch (not shown)	1
6	259263	Cable assembly 3mtr	1
	259264	Cable assembly 4mtr	1
	259265	Cable assembly 5mtr	1
7	366505	Cable support with ball-and-socket joint	1
8	260019	Leather-sheathing with Velcro 2mtr	1
9	3402031	Fume extraction hose 30-38mm 3mtr	1
	3402041	Fume extraction hose 30-38mm 4mtr	1
	3402051	Fume extraction hose 30-38mm 5mtr	1
10	36655021	Adaptor to fit fume hose	1
11	366550	Housing (Y-shape) for fume extraction hose	1
12	358300	Housing for central connector	1
13	501152	Screw for housing	25
14	305310	Screw for central connector	25
15	305298E	Central connector Euro	1
16	350950	Adaptor nut	2
17	305315	Liner positioner nut	10
18	406050	Gasflow meter	1
19	371208	Tool set (brush and multitool)	1
20	371350	Airflow meter MINI Extractor	1
-	320300	Ceramic dry film spray 400 ml (not shown)	12





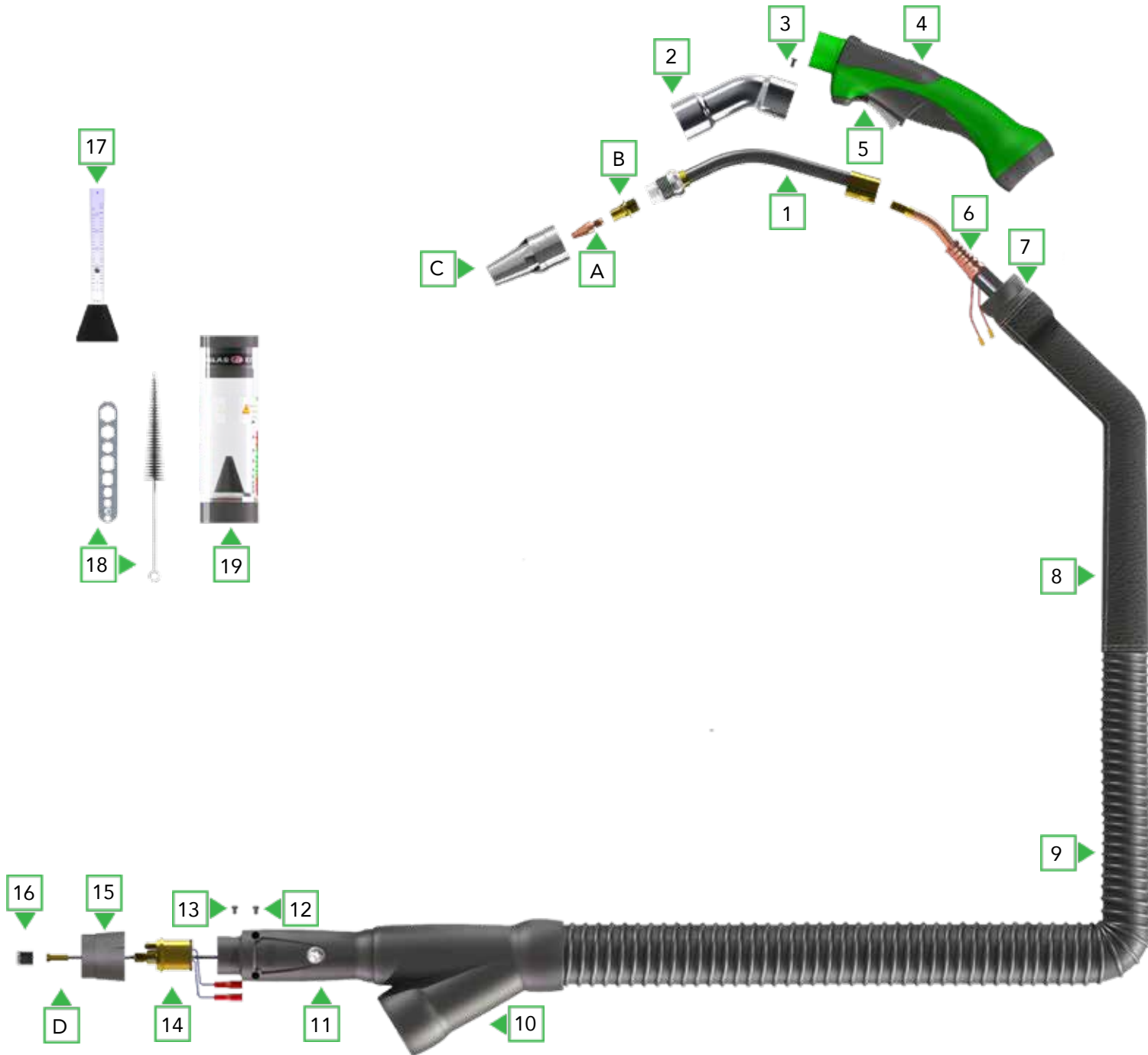
# 7XE MIG EXTRACTOR

CO2 - 320 AMP, MIXED GASES - 300 AMP, DUTY CYCLE - 100%

# MIG EXTRACTOR

AIR COOLED

# CLEAN AIR



ITEM	PART NO.	DESCRIPTION	PACK QTY
<b>COMPLETE TORCHES</b>			
	7X04110010300	7XE SCREW Extractor gas cooled 3mtr	1
	7X04110010400	7XE SCREW Extractor gas cooled 4mtr	1
	7X04110010500	7XE SCREW Extractor gas cooled 5mtr	1

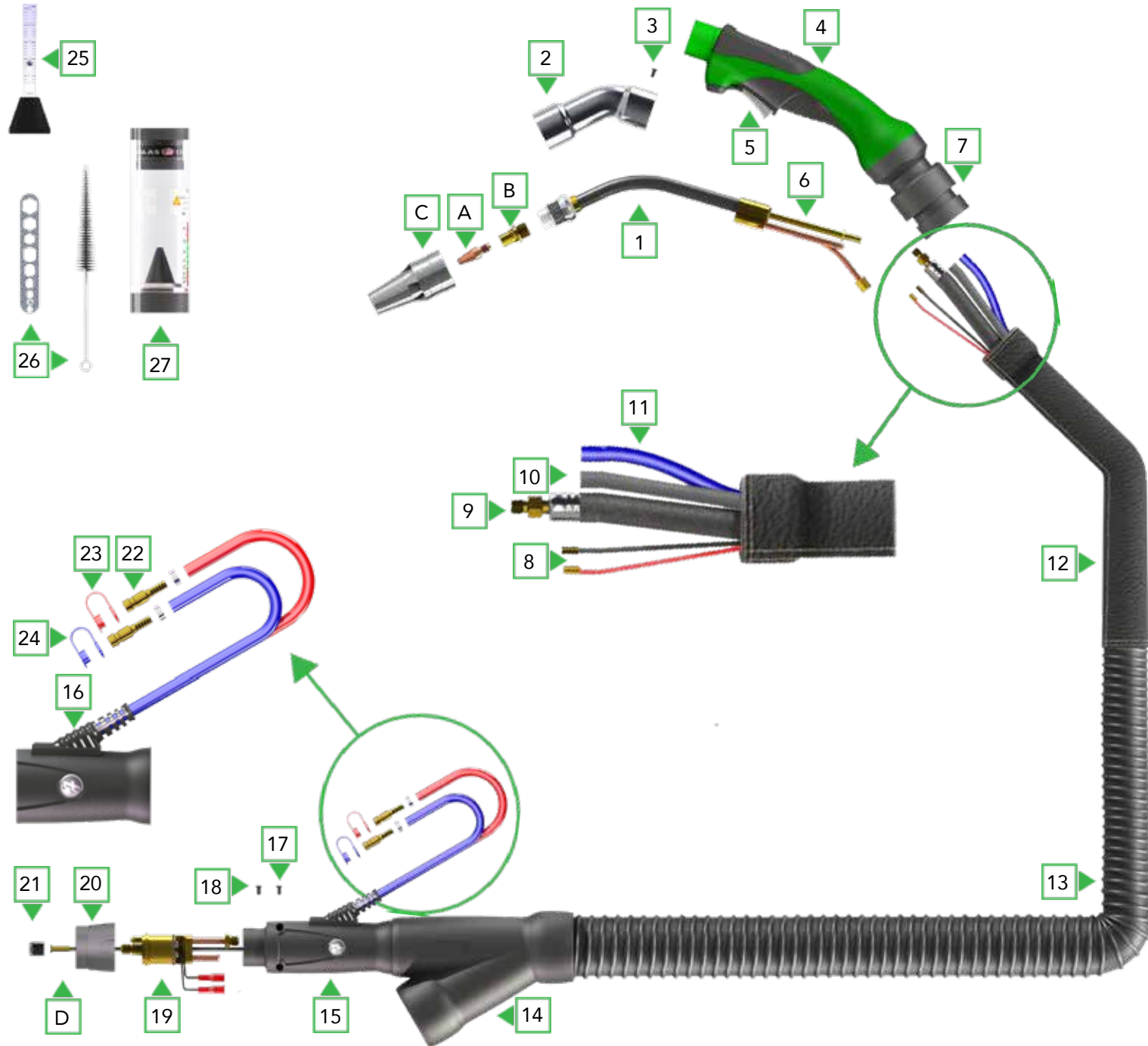


ITEM	PART NO.	DESCRIPTION	PACK QTY
<b>CONSUMABLES</b>			
A	140110	Contact tip M8-1,0	25
	1401102	Contact tip M8-1,0 Alu	25
	1401101	Contact tip M8-1,0 CuCrZr	25
	140112	Contact tip M8-1,2	25
	1401122	Contact tip M8-1,2 Alu	25
	1401121	Contact tip M8-1,2 CuCrZr	25
	140116	Contact tip M8-1,6	25
	1401161	Contact tip M8-1,6 CuCrZr	25
B	1534585	Tip adaptor M8	10
C	2407041	Nozzle conical 14mm Special	5
D	302535	Plastic coated liner red (2,0/4,5) 3mtr - for 1,0/1,2mm steel wire	1
	302545		1
	302555		1
	303635	Plastic coated liner yellow (2,5/4,5) 3mtr - for 1,6mm steel wire	1
	303645		1
	303655		1
	302538	Teflon red (2.0/4.0) 3mtr - for 1,0-1,2mm aluminium wire	1
	302548		1
	302558		1
	303638	Teflon yellow (2.7/4.7) 3mtr - for 1,6mm aluminium wire	1
	303648		1
	303658		1
	304830	Graphite liner black (2,0/4,0) 3mtr combiliner - for 1,0/1,2mm ST wire	1
	304831		1
	304832		1
	3048351		1
	3048361		1
	304837		1

ITEM	PART NO.	DESCRIPTION	PACK QTY
<b>SPARE PARTS</b>			
1	34073045M	Swan neck	1
2	366183	Metal neck	1
3	501155	Screw for metal neck	25
4	360624	Handle green/black complete with trigger	1
5	361178	Trigger	1
	361190	Spring for switch (not shown)	5
	361205	Micro switch (not shown)	1
6	259363	Cable assembly 3mtr	1
	259364	Cable assembly 4mtr	1
	259365	Cable assembly 5mtr	1
7	366500	Cable support with ball-and-socket joint	1
8	260018	Leather sheathing with Velcro 2mtr	1
9	3402032	Fume extraction hose 36-44mm 3mtr	1
	3402042	Fume extraction hose 36-44mm 4mtr	1
	3402052	Fume extraction hose 36-44mm 5mtr	1
10	366550	Housing (Y-shape) for fume extraction hose	1
11	358300	Housing for central connector	1
12	501152	Screw for housing	25
13	305310	Screw for central connector	25
14	305298E	Central connector Euro	1
15	350950	Adaptor nut	2
16	305315	Liner positioner nut	10
17	406050	Gasflow meter	1
18	371208	Tool set (brush and multitool)	1
19	371300	Airflow meter Extractor	1
-	320300	Ceramic dry film spray 400 ml (not shown)	12

## 7XE MIG EXTRACTOR

CO2 - 500 AMP, MIXED GASES - 500 AMP, DUTY CYCLE - 100%



WATER COOLED

CLEAN AIR



ITEM	PART NO.	DESCRIPTION	PACK QTY
<b>COMPLETE TORCHES</b>			
	7X45410010300	7XE SCREW Extractor water cooled 3mtr	1
	7X45410010400	7XE SCREW Extractor water cooled 4mtr	1
	7X45410010500	7XE SCREW Extractor water cooled 5mtr	1



ITEM	PART NO.	DESCRIPTION	PACK QTY	
<b>CONSUMABLES</b>				
A	140110	Contact tip M8-1,0	25	
	1401102	Contact tip M8-1,0 Alu	25	
	1401101	Contact tip M8-1,0 CuCrZr	25	
	140112	Contact tip M8-1,2	25	
	1401122	Contact tip M8-1,2 Alu	25	
	1401121	Contact tip M8-1,2 CuCrZr	25	
	140116	Contact tip M8-1,6	25	
	1401161	Contact tip M8-1,6 CuCrZr	25	
B	1534585	Tip adaptor M8	10	
C	2407041	Nozzle conical 14mm Special	5	
D	302535	STEEL	Plastic coated liner red (2,0/4,5) 3mtr - for 1,0/1,2mm steel wire	1
	302545		Plastic coated liner red (2,0/4,5) 4mtr - for 1,0/1,2mm steel wire	1
	302555		Plastic coated liner red (2,0/4,5) 5mtr - for 1,0/1,2mm steel wire	1
	303635		Plastic coated liner yellow (2,5/4,5) 3mtr - for 1,6mm steel wire	1
	303645		Plastic coated liner yellow (2,5/4,5) 4mtr - for 1,6mm steel wire	1
	303655		Plastic coated liner yellow (2,5/4,5) 5mtr - for 1,6mm steel wire	1
	302538	ALUMINIUM	Teflon red (2.0/4.0) 3mtr - for 1,0-1,2mm aluminium wire	1
	302548		Teflon red (2.0/4.0) 4mtr - for 1,0-1,2mm aluminium wire	1
	302558		Teflon red (2.0/4.0) 5mtr - for 1,0-1,2mm aluminium wire	1
	303638		Teflon yellow (2.7/4.7) 3mtr - for 1,6mm aluminium wire	1
	303648		Teflon yellow (2.7/4.7) 4mtr - for 1,6mm aluminium wire	1
	303658		Teflon yellow (2.7/4.7) 5mtr - for 1,6mm aluminium wire	1
	304830	STAINLESS STEEL	Graphite liner black (2,0/4,0) 3mtr combiliner - for 1,0/1,2mm ST wire	1
	304831		Graphite liner black (2,0/4,0) 4mtr combiliner - for 1,0/1,2mm ST wire	1
	304832		Graphite liner black (2,0/4,0) 5mtr combiliner - for 1,0/1,2mm ST wire	1
	3048351		Graphite liner black (2,3/4,7) 3mtr combiliner - for 1,6mm ST wire	1
	3048361		Graphite liner black (2,3/4,7) 4mtr combiliner - for 1,6mm ST wire	1
	3048371		Graphite liner black (2,3/4,7) 5mtr combiliner - for 1,6mm ST wire	1

ITEM	PART NO.	DESCRIPTION	PACK QTY
<b>SPARE PARTS</b>			
1	34073245M	Swan neck	1
2	366183	Metal neck	1
3	501155	Screw for metal neck	25
4	360624	Handle green/black complete with trigger	1
5	361178	Trigger	1
	361190	Spring for switch (not shown)	5
	361205	Micro switch (not shown)	1
6	340714506	Connection tube	1
7	366400	Cable support set with ball-and-socket joint	1
8	306505	Switch cable 1x0,75mm <sup>2</sup> per mtr	100
9	258513X2	Power/water cable 3mtr	1
	258514X2	Power/water cable 4mtr	1
	258515X2	Power/water cable 5mtr	1
10	2585313X2	Outer liner 3mtr (incl. connection tube)	1
	2585314X2	Outer liner 4mtr (incl. connection tube)	1
	2585315X2	Outer liner 5mtr (incl. connection tube)	1
11	258535	Water inlet hose 5x8mm blue per mtr	100
	258566	Water outlet hose 5x8mm red per mtr	100
12	260018	Leather sheathing with Velcro 2mtr	1
13	3402032	Fume extraction hose 36-44mm 3mtr	1
	3402042	Fume extraction hose 36-44mm 4mtr	1
	3402052	Fume extraction hose 36-44mm 5mtr	1
14	366550	Housing (Y-shape) for fume cover hose	1
15	358300	Housing for central connector	1
16	350880	Water hose guide	1
17	501152	Screw for housing	25
18	305310	Screw for central connector	25
19	305304E2	Central connector Euro	1
20	350950	Adaptor nut	2
21	305315	Liner positioner nut	10
22	258541	Quick connector nipple for water hose	10
23	258701	Waterstop red	10
24	258702	Waterstop blue	10
25	406050	Gasflow meter	1
26	371208	Tool set (brush and multitool)	1
27	371300	Airflow meter Extractor	1
-	320300	Ceramic dry film spray 400 ml (not shown)	12



# 7XE MIG EXTRACTOR

CONSUMABLES TO FIT YOUR SPECIFIC WELDING APPLICATION

## CONTACT TIPS

Contact tips that have been made for the 7XE Extractor have a unique conical tip design. You can choose from:



- Standard copper for everyday welding
- Available in sizes from (0.8mm - 2.4mm)
- Tri-metal (CuCrZr) for high-heat applications
- Special tips for aluminum welding

CLEAN AIR

## NOZZLE OPTIONS

There are three nozzle variations to suit any kind of joint application for optimal results. The nozzles can be changed in a second.



### MINI EXTRACTOR

12mm

The nozzle offers slightly wider shielding gas coverage on medium-thickness materials in butt and fillet applications, and outside-corner joints. The 12mm standard nozzle is delivered as a standard with the 7XE MINI Extractor.



12MM

### MINI EXTRACTOR

14mm

For heavier-thickness, high-current and high-deposition butt- and lap-joint applications, this nozzle offers greater shielding gas coverage to help prevent porosity.



14MM

### 7XE STANDARD / MINI

14mm special

Where space is limited and fit is tight, this nozzle offers better access and greater shielding gas coverage to prevent porosity. The 14mm special nozzle is delivered with every 7XE Extractor torch type.



SPECIAL  
14MM



## WIRE FEED CONNECTORS

### EURO CONNECTOR



There are wire feed connectors available to fit any type of machine.

Due to the design of the back housing, you can switch between the connector types with ease.

## MAINTENANCE

### AIRFLOW METER

Always use the airflow meter to ensure maximum extraction effect.



### GAS METER

The gas meter is used for best weld quality by keeping the right amount of shielding gas around the weld seam.

### CERAMIC SPRAY

Prolong the life of your torch and all spare parts by applying the ceramic spray to the 7XE Extractor before work.

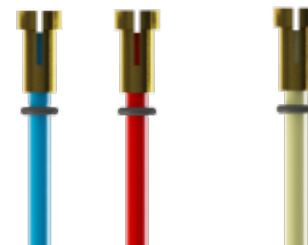
## LINERS

Choose the right liner for your wire diameter and type when working with a 8XE Extractor Torch:



All liner types are suitable for stainless steel applications. For Aluminium application, there are the following types:

**Blue , Red and Yellow in Teflon.**









**TRANSLAS**   
DUTCH TORCH TECHNOLOGY

8TE TIG EXTRACTOR

# EXTRACTION

NO FUMES, ONLY CLEAN AIR





# 8TE TIG EXTRACTOR



# CLEAN AIR

## SOURCE EXTRACTION

The 8TE TIG Extractor offers break through integrated at-source fume extraction for the TIG welding process.

## DID YOU KNOW

Stainless steel and aluminum welding produces the most toxic particulates that are found in the harmful welding fumes because of Hexavalent Chromium and Manganese .

## VARIOUS SWITCH MODULES AVAILABLE.

Positioned at approximately 5 degrees, the switch module eliminates any tension in the fingers and minimizes the risk of cramps due to daily repetitive movements.

## EXTREME FLEXIBLE HOSE ON FIRST METER

The 8TE Extractor has an extremely flexible vacuum hose specifically the first one meter from the handle

**Reduces  
Welding Fumes  
Up To 95%**

**Standard  
TIG  
Consumables**

CLEAN AIR





# 8TE TIG EXTRACTOR



EXTRACTION

## THE NEW 8TE-17 AND 8TE-30 TIG EXTRACTOR

Our TIG Extractors protect the welders and other workers in the factory from harmful fumes and metals like Aluminium, Chromium, Iron, Manganese and Nickel which are possibly released during the welding process.

## SAME CONVENIENT HANDLE AS REGULAR 8XT TORCH.

The 8TE TIG Extractor handle has a unique ergonomic shape designed to suit the shape of the welder's hand, fitting perfectly between the thumb and index fingers. The grip is made out of a durable but soft 2K TPE rubber. Both the ergonomic shape and the grip material contribute to the excellent stability of the torch during the welding process.



## CLEARO2 T100

The ClearO2 T100 portable extraction units offered by Translas were specially engineered to work with the 8TE Extractor to deliver the best results - up to 95% extraction of welding fumes directly at the source.



## PRODUCT FEATURES

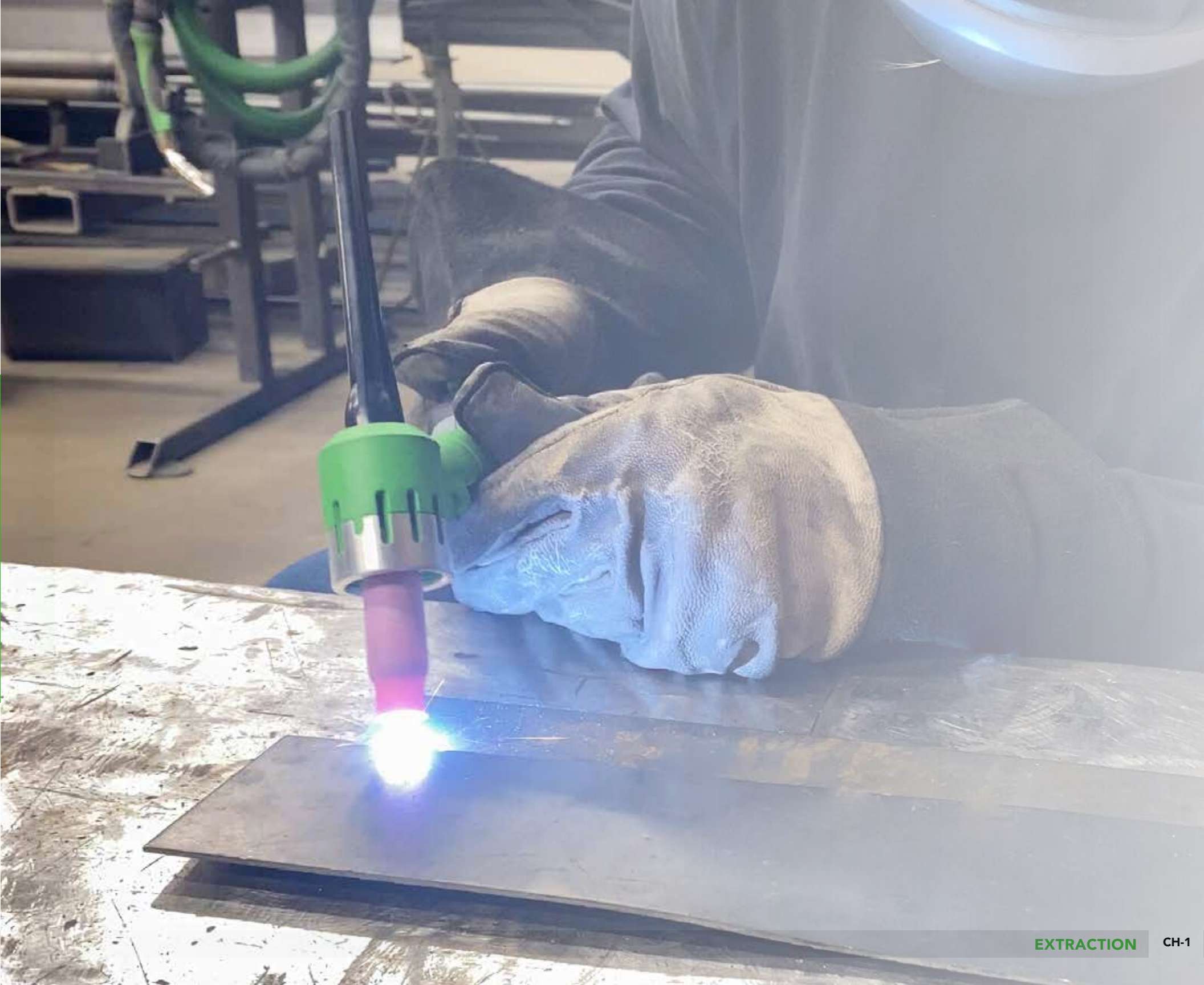
- ✓ SOURCE CAPTURE – ON-TORCH FUME EXTRACTION.
- ✓ EXTRACTS UP TO 95% OF HARMFUL WELDING FUMES AND TOXIC PARTICULATES DIRECTLY AT THE SOURCE BEFORE AIRBORN.
- ✓ ERGONOMIC GRIP/HANDLE ALL-DAY COMFORT AND STABILITY OR WELDER.
- ✓ EXTRACTION NOZZLE FROM PPS WITH AN ALUMINUM RADIATION PROTECTION SHIELD INTERCHANGEABLE PARTS.
- ✓ EXTREME FLEXIBLE SUCTION HOSE.
- ✓ OPTION: FLAME RETARDANT PROTECTION HOSE.
- ✓ ROTATING CONNECTION COUPLER.
- ✓ CABLE SUPPORT BEHIND Y-PIECE.
- ✓ EFFECTIVE SUCTION FLOW BETWEEN 18-20M<sup>3</sup>.
- ✓ AIRFLOW METER TIG – CAN USE WITH ALL TIG TORCHES.

## PCB PROTECTION PLATE

The PCB module is fixed & completely covered by a protection plate, which keep the PCB safe from HF and dirt. The unique gold-plated spring contacts ensure perfect connection with the welding machine.









# 8TE TIG EXTRACTOR LINE



8TE TIG EXTRACTOR

**17** AIR COOLED

DC - 140 AMP

AC/DC - 100 AMP

Duty Cycle - 35%



8TE TIG EXTRACTOR

**30** WATER COOLED

DC - 320 AMP

AC/DC - 230 AMP

Duty Cycle - 100%

EXTRACTION



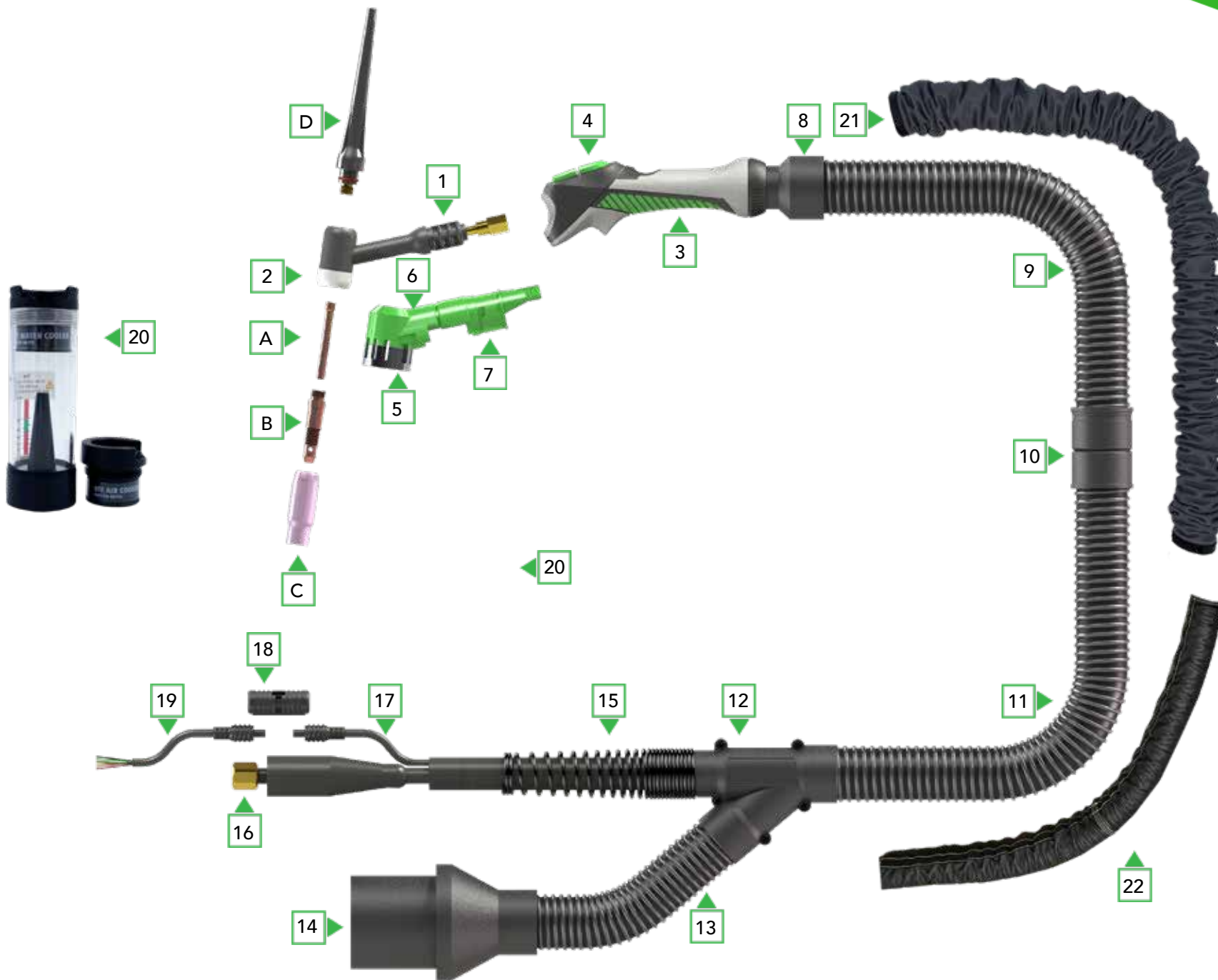
# 8TE-17 TIG EXTRACTOR

DC - 140 AMP, AC/DC - 100 AMP, DUTY CYCLE - 35%



AIR COOLED

CLEAN AIR





ITEM	PART NO.	DESCRIPTION	PACK QTY
------	----------	-------------	----------

### COMPLETE TORCHES

	8TE20010504350	8TE-17 Tig Extractor 4mtr 10-25mm <sup>2</sup> +1/4'G	1
	8TE20010508350	8TE-17 Tig Extractor 8mtr 10-25mm <sup>2</sup> +1/4'G	1
	8TE20010504370	8TE-17 Tig Extractor 4mtr 35-50mm <sup>2</sup> +1/4'G	1
	8TE20010508370	8TE-17 Tig Extractor 8mtr 35-50mm <sup>2</sup> +1/4'G	1
	8TE20010504340	8TE-17 Tig Extractor 4mtr CA Fronius 35-50mm <sup>2</sup>	1
	8TE20010508340	8TE-17 Tig Extractor 4mtr CA Fronius 35-50mm <sup>2</sup>	1
	8TE20010504000	8TE-17 Tig Extractor 4mtr M12x1	1
	8TE20010508000	8TE-17 Tig Extractor 8mtr M12x1	1
	8TE20010504210	8TE-17 Tig Extractor 4mtr 1/4'G	1
	8TE20010508210	8TE-17 Tig Extractor 8mtr 1/4'G	1
	8TE20010504220	8TE-17 Tig Extractor 4mtr 3/8'G	1
	8TE20010508220	8TE-17 Tig Extractor 8mtr 3/8'G	1

These 8TE torches come as a standard with a one-button switch module and a trigger cable end without the plug. For other switch options and triggers cable end with plug, we refer to pages 42 and 43.

ITEM	PART NO.	DESCRIPTION	PACK QTY
------	----------	-------------	----------

### CONSUMABLES

A	500664	10N22 Collet 1.0mm	5
	00666	10N23 Collet 1.6mm	5
	500668	70062 Collet 2.0mm	5
	500670	10N24 Collet 2,4mm	5
	500674	10N25 Collet 3.2mm	5
	500676	54N20 Collet 4.0mm	5
B	500764	10N30 Collet body 1.0mm	5
	500766	10N31 Collet body 1.6mm	5
	500768	70064 Collet body 2.0mm	5
	500770	10N32 Collet body 2,4mm	5
	500774	10N28 Collet body 3.2mm	5
	500776	406488 Collet body 4.0mm	5
C	500520	10N50 Ceramic cup 6.4mm	10
	500522	10N49 Ceramic cup 7.9mm	10
	500524	10N48 Ceramic cup 9,5mm	10
	500526	10N47 Ceramic cup 11.1mm	10
	500528	10N46 Ceramic cup 12.7mm	10
	500530	10N45 Ceramic cup 16.0mm	10
	500532	10N44 Ceramic cup 19.0mm	10
D	500346	57Y02 Back cap long	5
	500347	300M Back cap medium	5



ITEM	PART NO.	DESCRIPTION	PACK QTY
------	----------	-------------	----------

### SPARE PARTS

1	520200	Torch body air cooled	1
2	500402	18CG Heat shield	5
3	8X9987	Handle green complete with 1-button switch	1
	580150	Inside handle stop (Not shown)	1
	580160	Inside hose stop (Not shown)	2
4	8X9518	Switch module green 1-button complete	1
<b>For other switch options we refer to page 43</b>			
5	581010	Heat shield aluminium	1
6	5803502	Suction head	1
7	5801002	Torchbody adaptor	1
8	581050	Ball-and-socket joint	1
9	580400	Suction hose front 1mtr black	1
	442352	Suction hose cover 1mtr (Not shown)	1
10	5810602	Connection part for 25mm hose (When torch is 4mtr)	1
	5810622	Connection part for 30mm hose (When torch is 8mtr)	1
11	340102	Suction hose 25mm black p/mtr (When torch is 4mtr)	1mtr
	340505	Suction hose 30mm black p/mtr (When torch is 8mtr)	1mtr
12	5802002	Y-Piece set	1
	5802302	Inside stop to block suction smoke (Not shown)	1
	580250	Adaptor to fit 30mm hose on Y-Piece (When torch is 8mtr)	1
13	340102	Suction hose 25mm black p/mtr	1mtr
14	581068	Adaptor Suction hose 25mm -> 56mm	1
	581069	Adaptor Suction hose 25mm -> 38mm	1
15	580215	Spring 27mm for Y-Piece	1
16	Power/gas cable	On request as this is depending on machine connection	1
17	306550	Switch cable 4mtr (QuickConnect)	1
	306552	Switch cable 8mtr (QuickConnect)	1
18	306545	Locking clip (QuickConnect)	1
19	306559	Switch cable end without plug (QuickConnect)	1
20	371300	Airflow meter Extractor	1
21	442352	Hose Cover (Optional)	1
22	5820004	Leather Cover for 4mtr torch (optional)	1
	260027	Leather Cover for 8mtr torch (optional)	1

For other Switch cable ends with plug, we refer to Page 42



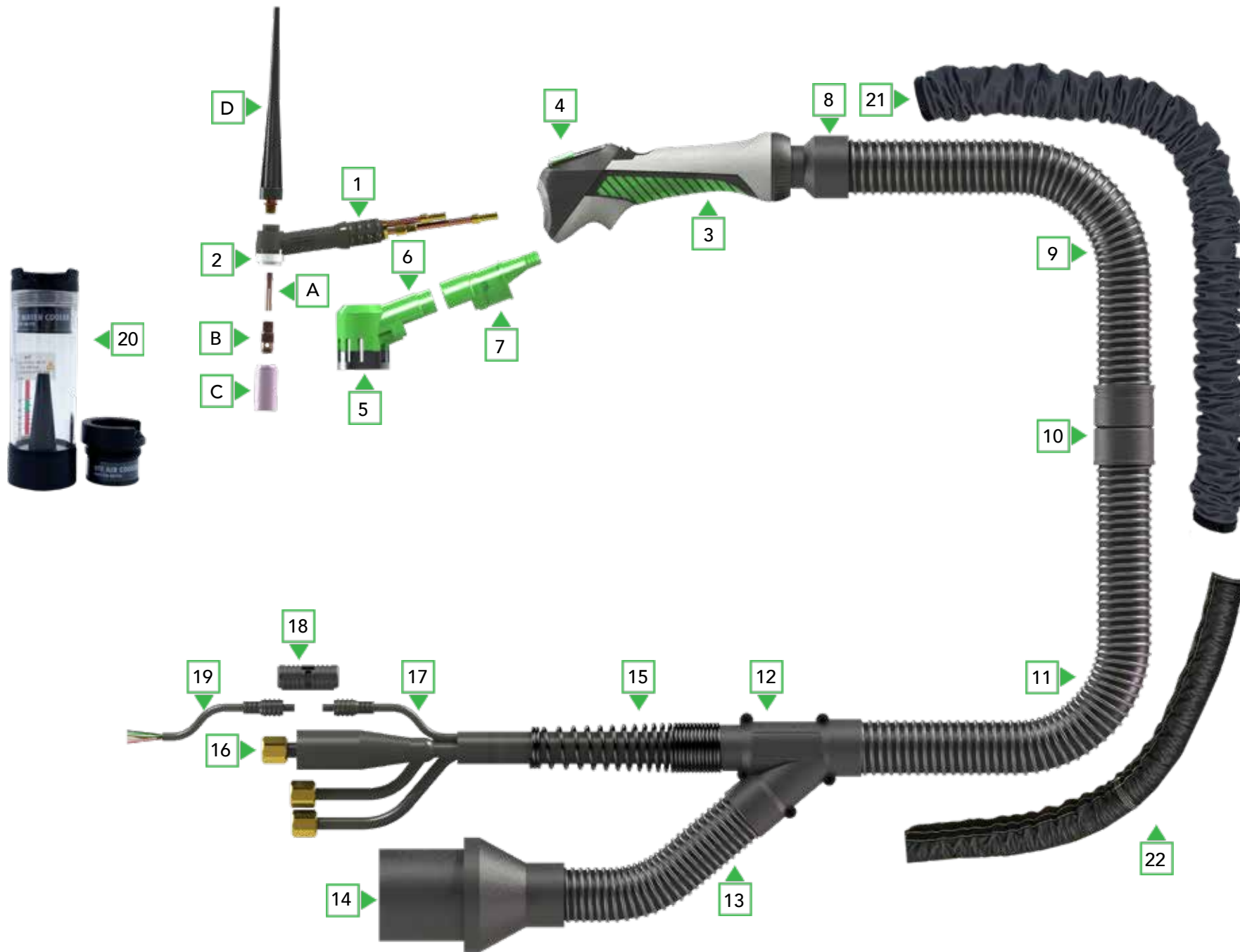
# 8TE-30 TIG EXTRACTOR

DC - 320 AMP, AC/DC - 330 AMP, DUTY CYCLE - 100%



WATER COOLED

CLEAN AIR





ITEM	PART NO.	DESCRIPTION	PACK QTY
------	----------	-------------	----------

### COMPLETE TORCHES

	8TE60014704650	8TE-30 Tig Extractor 4mtr 35-50mm <sup>2</sup> +tules+1/4'G	1
	8TE60014708650	8TE-30 Tig Extractor 8mtr 35-50mm <sup>2</sup> +tules+1/4'G	1
	8TE60014704990	8TE-17 Tig Extractor 4mtr CA Fronius 35-50mm <sup>2</sup> +tules	1
	8TE60014708990	8TE-17 Tig Extractor 4mtr CA Fronius 35-50mm <sup>2</sup> +tules	1
	8TE60014704600	8TE-30 Tig Extractor 4mtr M12x1+3/8'G+1/4'G	1
	8TE60014708600	8TE-30 Tig Extractor 8mtr M12x1+3/8'G+1/4'G	1
	8TE60014704800	8TE-30 Tig Extractor 4mtr 3/8'G+3/8'G+1/4'G	1
	8TE60014708800	8TE-30 Tig Extractor 8mtr 3/8'G+3/8'G+1/4'G	1

These 8TE torches come as a standard with a one-button switch module and a trigger cable end without the plug. For other switch options and triggers cable end with plug, we refer to pages 42 and 43.

ITEM	PART NO.	DESCRIPTION	PACK QTY
------	----------	-------------	----------

### CONSUMABLES

A	500650	13N20 Collet 0,5mm	5
	500652	13N21 Collet 1,0mm	5
	500654	13N22 Collet 1,6mm	5
	500656	70066 Collet 2,0mm	5
	500658	13N23 Collet 2,4mm (standard)	5
	500660	13N24 Collet 3,2mm	5
B	500750	13N25 Collet body 0,5mm	5
	500752	13N26 Collet body 1,0mm	5
	500754	13N27 Collet body 1,6mm	5
	500756	70067 Collet body 2,0mm	5
	500758	13N28 Collet body 2,4mm (standard)	5
	500760	13N29 Collet body 3,2mm	5
C	500500	13N08 Ceramic cup 6,4mm Gr. 4	10
	500502	13N09 Ceramic cup 7,9mm Gr. 5	10
	500504	13N10 Ceramic cup 9,5mm Gr. 6 (standard)	10
	500506	13N11 Ceramic cup 11,1mm Gr. 7	10
	500508	13N12 Ceramic cup 12,7mm Gr. 8	10
	500510	13N13 Ceramic cup 15,9mm Gr. 10	10
D	500344	41V35 Back cap medium	5
	500340	41V24 Back cap long (standard)	5



ITEM	PART NO.	DESCRIPTION	PACK QTY
------	----------	-------------	----------

### SPARE PARTS

1	520700	Torch body water cooled	1
2	500400	598882 Heat shield	5
3	8X9987	Handle green complete with 1-button switch	1
	580150	Inside handle stop (Not shown)	1
	580160	Inside hose stop (Not shown)	2
4	8X9518	Switch module green 1-button complete	1
<b>For other switch options we refer to page 43</b>			
5	581000	Heat shield aluminium	1
6	5803002	Suction head	1
7	5801002	Torchbody adaptor	1
8	581050	Ball-and-socket joint	1
9	580400	Suction hose front 1mtr black	1
	442352	Suction hose cover 1mtr (Not shown)	1
10	5810602	Connection part for 25mm hose (When torch is 4mtr)	1
	5810622	Connection part for 30mm hose (When torch is 8mtr)	1
11	340102	Suction hose 25mm black p/mtr (When torch is 4mtr)	1mtr
	340505	Suction hose 30mm black p/mtr (When torch is 8mtr)	1mtr
12	5802002	Y-Piece set	1
	5802202	Inside stop to block suction smoke (Not shown)	1
	580250	Adaptor to fit 30mm hose on Y-Piece (When torch is 8mtr)	1
13	340102	Suction hose 25mm black p/mtr	1mtr
14	581068	Adaptor Suction hose 25mm -> 56mm	1
	581069	Adaptor Suction hose 25mm -> 38mm	1
15	580215	Spring 27mm for Y-Piece	1
16	Power/Water cable	On request as this is depending on machine connection	1
17	306550	Switch cable 4mtr (QuickConnect)	1
	306552	Switch cable 8mtr (QuickConnect)	1
18	306545	Locking clip (QuickConnect)	1
19	306559	Switch cable end without plug (QuickConnect)	1
20	371300	Airflow meter Extractor	1
21	442352	Hose Cover (Optional)	1
22	5820004	Leather Cover for 4mtr torch (optional)	1
	260027	Leather Cover for 8mtr torch (optional)	1

For other Switch cable ends with plug, we refer to Page 42



# 8TE TIG EXTRACTION



SWITCH CABLE ENDS



## CONFIGURATION SHEET

In this configuration sheet you can easily select your plug which is applicable for different kind of welding machines. Also you can select the switch types as well as water- or gas cooled applications.

ITEM	PART NO.	MACHINE BRAND	PLUG TYPE	GAS COOLED	WATER COOLED	ONE BUTTON	TWO BUTTON	THREE BUTTON	FOUR BUTTON	ONE BUTTON POT
1	507541	Cebora	10-pins Cebora	<input checked="" type="checkbox"/>	<input checked="" type="checkbox"/>	<input checked="" type="checkbox"/>		<input checked="" type="checkbox"/>		<input checked="" type="checkbox"/>
	507549	Cebora	10-pins Cebora	<input checked="" type="checkbox"/>	<input checked="" type="checkbox"/>	<input checked="" type="checkbox"/>				<input checked="" type="checkbox"/>
2	507450	Esab	2-pins Amphenol	<input checked="" type="checkbox"/>	<input checked="" type="checkbox"/>	<input checked="" type="checkbox"/>				
3	5004623	EWM	5-pins Tüchel	<input checked="" type="checkbox"/>	<input checked="" type="checkbox"/>	<input checked="" type="checkbox"/>	<input checked="" type="checkbox"/>			
4	507714	EWM	8-pins UTG	<input checked="" type="checkbox"/>	<input checked="" type="checkbox"/>	<input checked="" type="checkbox"/>	<input checked="" type="checkbox"/>	<input checked="" type="checkbox"/>	<input checked="" type="checkbox"/>	
3	507552	Jäckle	5-pins Tüchel	<input checked="" type="checkbox"/>	<input checked="" type="checkbox"/>	<input checked="" type="checkbox"/>	<input checked="" type="checkbox"/>			
	507550	Jäckle	5-pins Tüchel	<input checked="" type="checkbox"/>	<input checked="" type="checkbox"/>	<input checked="" type="checkbox"/>		<input checked="" type="checkbox"/>	<input checked="" type="checkbox"/>	
5	507561	Jäckle	7-pins Tüchel	<input checked="" type="checkbox"/>	<input checked="" type="checkbox"/>					<input checked="" type="checkbox"/>
6	50048227	Fronius	9-pins Fronius	<input checked="" type="checkbox"/>	<input checked="" type="checkbox"/>	<input checked="" type="checkbox"/>	<input checked="" type="checkbox"/>	<input checked="" type="checkbox"/>		
	50048247	Fronius	9-pins Fronius	<input checked="" type="checkbox"/>	<input checked="" type="checkbox"/>				<input checked="" type="checkbox"/>	
7	507435	Kemppi	4-pins Amphenol							
8	5075371	Kemppi	7-pins Amphenol MLS	<input checked="" type="checkbox"/>		<input checked="" type="checkbox"/>		<input checked="" type="checkbox"/>		
	5075372	Kemppi	7-pins Amphenol MLS		<input checked="" type="checkbox"/>	<input checked="" type="checkbox"/>		<input checked="" type="checkbox"/>		
	5075373	Kemppi	7-pins Amphenol MLS	<input checked="" type="checkbox"/>						<input checked="" type="checkbox"/>
	5075374	Kemppi	7-pins Amphenol MLS		<input checked="" type="checkbox"/>					<input checked="" type="checkbox"/>
9	507611	Migatronc	7-pins Amphenol	<input checked="" type="checkbox"/>		<input checked="" type="checkbox"/>				<input checked="" type="checkbox"/>
	507621	Migatronc	7-pins Amphenol		<input checked="" type="checkbox"/>	<input checked="" type="checkbox"/>				<input checked="" type="checkbox"/>
9	507612	Rehm	7-pins Amphenol	<input checked="" type="checkbox"/>		<input checked="" type="checkbox"/>	<input checked="" type="checkbox"/>			
	507613	Rehm	7-pins Amphenol		<input checked="" type="checkbox"/>	<input checked="" type="checkbox"/>	<input checked="" type="checkbox"/>			
	507615	Rehm	7-pins Amphenol	<input checked="" type="checkbox"/>	<input checked="" type="checkbox"/>					<input checked="" type="checkbox"/>



# 8TE TIG EXTRACTOR



## SWITCH MODULE OPTIONS

ITEM	PART NO.	DESCRIPTION	PACK QTY
1	8X9518	8TE Switch module 1-button complete	1
2	8X9528	8TE Switch module 2-button complete	1
3	8X9538	8TE Switch module 3-button complete	1
4	8X9558	8TE Switch module 4-button rocker complete	1
5	8X9578	8TE Switch module 1-button 10 kOhm complete	1
6	8X9560	8TE Switch module 1-button lamelle complete	1



## TIG CONSUMABLES

All international wear parts are stock products and fully interchangeable.



## END FITTINGS

We supply almost every common end fitting for TIG power cables.



## CERAMIC CUPS

Complete range of ceramics is available.



EXTRACTION



CLEARO2 

 **HI-VAC UNITS**

# EXTRACTION

**NO FUMES, ONLY CLEAN AIR**



TRAN





# HI-VAC UNITS INTEGRATED FUME EXTRACTION



**CLEARO2  
UNITS**



**ENGINEERED FOR THE TRANSLAS  
8XE, 8TE, 7XE EXTRACTOR TORCHES**

**Powerful, Flexible & Mobile.**

The ClearO2 portable extraction units offered by Translas were specially engineered to work with the 7XE, 8XE, & 8TE Extractors to deliver the best results - up to 98% extraction of welding fumes directly at the source. The ClearO2 portable extraction units and solutions are ready to use systems, designed for maximum convenience for the welder during work.



**CLEAN AIR**



## AUTOMATIC FILTER CLEANING

The ClearO2 W-series have an automatic cleaning function by reverse compressed air pulse. The moment the under pressure in the filter is too high, the units start to clean the filters automatically. A manual cleaning function can be done by pressing a single button. With a large filter area the ClearO2 Hi-vac units are the most efficient units of their size.



## POWERFUL FILTRATION

With the combination of a 7XE, 8XE, & 8TE Extractor and a ClearO2 unit, the captured fumes are filtered with an efficiency > IFA 99.8%. The powerful solution is suitable for high production welding environments.



## LARGE FILTER AREA

With a filter area of 5m<sup>2</sup>, this is one of the most efficient units of its size with large filter.



# HI-VAC UNITS INTEGRATED FUME EXTRACTION



**CLEAR2  
UNITS**



## EFFICIENT MOTOR SYSTEM

The electric motor of the units is designed to work continuously. Due to the automatic cleaning function and the simplified motor system, the units' maintenance is minimal, making them long-lasting and time-saving. The automatic start/stop function was engineered to preserve energy and synchronize the units with the Translas Extractor torches. The moment the torch is out of the torch holder, the machine automatically starts working.

There are two start/stop options. The clamp, which works on induction. The torch holder: When taking the Extractor out of the holder, the units starts. For both options: after stopping welding or putting the torch back into the holder, the machine stops working after about 30 seconds.

**LIGHT & MOBILE**

**IFA  
99.8%**

**Only Generate  
65dB**

**EXTRACTION**



## AUTO START/STOP OPTIONS

These options are designed to work only with the 7XE, 8XE, & 8TE Extractors guns by using the clamp auto start/stop.

- ✓ **DESIGNED FOR THE 7XE, 8XE, & 8TE EXTRACTOR TORCHES**
- ✓ **MOBILE, WITH WHEELS OR CRANE HOOKS**
- ✓ **UNITS FOR 1 - 2 WELDERS**
- ✓ **SUITABLE FOR HIGH-PRODUCTION ENVIRONMENT**
- ✓ **QUIET < 65dB & EFFICIENT**







# MIG CLEARO2 UNITS INTEGRATED FUME EXTRACTION



**CLEARO2  
UNITS**



MIG HI-VAC UNITS

**W 100** CLEARO2  
UNIT



MIG HI-VAC UNITS

**W 200** CLEARO2  
UNIT

**EXTRACTION**





# MIG CLEARO2 W100/150 INTEGRATED FUME EXTRACTION

FOR ONE WELDER



**CLEARO2  
UNITS**

**CLEAN AIR**



<b>Dimensions</b>	(L x B x H) 700 x 440 x 585 / 630mm (without / with wheels)
<b>Implementation</b>	Mobile on 4-wheels. Two rotating with locks
<b>Power Supply</b>	(W100) = 220 - 240 V / 50 - 60 Hz (W150) = 380 - 480 V / 50 - 60 Hz
<b>Motor power</b>	Max 1.5 KW
<b>Suction Flow</b>	Max. 180 m <sup>3</sup> /h (free blowing)
<b>Suction Flow Effective</b>	Max. 65m <sup>3</sup> /h
<b>Working Pressure</b>	Max. 36000Pa (el. Controlled)
<b>Filter Surface</b>	5m <sup>2</sup> Active filter surface, Filter efficiency: IFA >99,8%
<b>Working Temperature</b>	0 to +50°C
<b>Max. DC</b>	DC: 100%
<b>Inlet</b>	51 mm
<b>Weight</b>	Ca. 45 kg
<b>Noise Level</b>	Max. dB(A) <65Db(A) (at 100% suction flow)
<b>Filter method</b>	Disposable filter
<b>Certifications</b>	CE, W3 and CSA

PART NO.	DESCRIPTION	PACK QTY
<b>ClearO2 W100 - W150</b>		
374610000000	Welding fume unit ClearO2 W100 220 - 240 V 50 - 60 Hz 1.5 KW	1
374615000000	Welding fume unit ClearO2 W150 380 - 420 V 50 - 60 Hz 1.5 KW	1



# MIG CLEARO2 W200 INTEGRATED FUME EXTRACTION

FOR TWO WELDER



**CLEARO2  
UNITS**



<b>Dimensions</b>	(L x B x H) 700 x 530 x 560 / 630mm (without / with wheels)
<b>Implementation</b>	Mobile on 4-wheels. Two rotating with locks
<b>Power Supply</b>	400 - 480 V / 50 - 60 Hz
<b>Motor power</b>	Max 3.0 KW
<b>Suction Flow</b>	Max. 250 m³/h (free blowing)
<b>Suction Flow Effective</b>	Max. 65m³/h
<b>Working Pressure</b>	Max. 45000Pa (el. Controlled)
<b>Filter Surface</b>	5m² Active filter surface, Filter efficiency: IFA >99,8%
<b>Working Temperature</b>	0 to +50°C
<b>Max. DC</b>	DC: 100%
<b>Inlet</b>	51 mm x 2
<b>Weight</b>	Ca. 58 kg
<b>Noise Level</b>	Max. dB(A) <65Db(A) (at 100% suction flow)
<b>Filter method</b>	Disposable filter
<b>Certifications</b>	CE, W3 and CSA

**EXTRACTION**

PART NO.	DESCRIPTION	PACK QTY
<b>ClearO2 W200</b>		
3746200000000	Welding fume unit ClearO2 W200 380 - 420 V 50 - 60 Hz 3 KW	1



# SPARE PARTS FOR HI-VAC UNITS INTEGRATED FUME EXTRACTION



CLEARO2  
UNITS

CLEAN AIR



1



2



3



4



5



6



7



8



9



10



11



# SPARE PARTS FOR HI-VAC UNITS INTEGRATED FUME EXTRACTION



**CLEARO2  
UNITS**

ITEM	PART NO.	DESCRIPTION	PACK QTY
<b>SPARE PARTS</b>			
1	371012	Torch holder ø40mm for automatic start/stop 5mtr ClearO2	1
	371013	Torch holder ø40mm for automatic start/stop 10mtr ClearO2	1
	371014	Torch holder ø50mm for automatic start/stop 5mtr ClearO2	1
	371015	Torch holder ø50mm for automatic start/stop 10mtr ClearO2	1
2	374010	Sensing cable auto start / stop 4mtr W-serie	1
3	3740103	Extension cable auto start / stop incl. 5-p plug W-serie 3mtr	1
	3740105	Extension cable auto start / stop incl. 5-p plug W-serie 5mtr	1
	3740110	Extension cable auto start / stop incl. 5-p plug W-serie 10mtr	1
4	374020	Filtermat W-serie ClearO2 5m2	1
5	374025	Filtermat W-serie ClearO2 (set/5pc)	1
6	374099	Ball valve to reduce the suction flow	1
7	3740106	Pressure reducing value 5 - 15 bar 1/4-NP7.2	1
8	37422505	ClearO2 suction hose black ø51mm 5mtr	1
8	7422510	ClearO2 suction hose black ø51mm 10mtr	1
9	374126	Coupler for suction hose black ø51mm 5mtr	1
10	374130	Coupler to extend the suction hose ø51mm	1
11	398110	Coupler for suction hose ø51mm side 8XE	1

**EXTRACTION**





BY WELDERS. FOR WELDERS



(+44) 1772 62 63 23



Unit 25, Momentum Place  
Bamber Bridge, Preston  
PR5 6EF United Kingdom



[info-uk@translas.com](mailto:info-uk@translas.com)

[www.translas.com](http://www.translas.com)

**EUROPE**

**UNITED KINGDOM**

**NORTH AMERICA**